

**H4Z 06**



# **HEAT 4G 70.50.06**

**INSTALLATION INSTRUCTIONS**

**EN**

**INSTALLATIONSANLEITUNG**

**DE**

**INSTRUCTIONS D'INSTALLATION**

**FR**

**ISTRUZIONI PER L'INSTALLAZIONE**

**IT**

All local regulations, including those referring to national and European standards, must be observed when installing the product. Assembly and installation of your chosen product must be performed only by an authorized dealer of **Romotop spol. s r.o.** company. This is necessary for the recognition of the warranty and the proper functioning of the product. This product is not suitable as a primary heat source.

### Instruction manual

Please read the information and instructions in the Instruction manual carefully.

### Operating chimney draft

Operating draft is 12 Pa. Maximum operating chimney draft is 20 Pa. This should be measured during full operation of the product. It is recommended to install a draft regulator, especially when the appliance is equipped with unit for automatic combustion regulation.

### Authorized fuel

Dry, lump wood with residual moisture up to 20 %. The stated average fuel consumption must always be observed – 3,30 kg/h. The recommended fuel length is approximately 250-400 mm. Depends on the size of the combustion chamber. Always use at least 2 pieces of wood.

## Operation of the product

### 1 Hardening of the paint

If your model of stove has a closable grate, leave it in open position. The first heating of the product should take place with a limited amount of smaller pieces of wood (ca ½ the average fuel). Leave the door ajar (approximately 2 cm gap), so that the door cord does not stick to the paint. Also open the air supply to the maximum (pos. C). Slow process of heating up will prevent paint damage and deformation of materials.

After burning the wood on glowing coals, you can proceed to hardening of the paint. Place the allowed fuel dose in the chamber, using smaller logs and pieces. Leave the door ajar (approximately 2 cm). The paint under the door must harden sufficiently. When this dose burns out, carry out at least 2 to 3 additional periods with the allowed fuel dose, now with the door closed and the air supply open to the maximum (pos. C). Hardening of the paint is accompanied by an odor that persists throughout full hardening process, so described actions should only be carried out with sufficient room ventilation.

### 2 Heating up

Move the air supply lever to the open position (pos. C), if there is no automatic combustion regulation active. If the product includes a cast iron grate, open it. Use max. twice amount of the average fuel dose for ignition. First place larger logs on the bottom of the chamber, then layer finer logs of dry piece of wood

on them (pos. 2) – igniting from above. Use a lighter that is specifically designed for this purpose. If necessary (the fire still did not start after some time), leave the door open for a while (approx. 2 cm), for additional sufficient air supply. Then, during standard heating, always keep the door closed. Do not reload new dose of wood, until the previous batch has completely burned to glowing coals and there are only embers in the chamber, without visible flames.

### 3 Heating and reloading

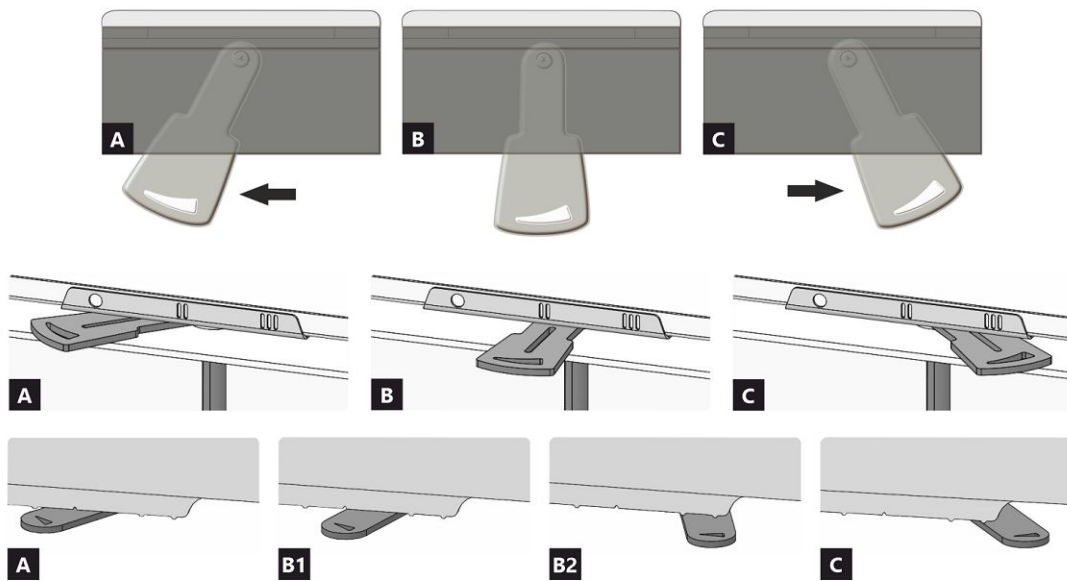
To equalize the pressure in the room and the combustion chamber, slightly open the door to approx. 2 cm gap for 10 seconds before each reloading. This will prevent possible escape of ash and smoke into the room. Add the amount of wood that is suitable for your product, see average fuel consumption (pos. 4). After reloading the wood, always close the door properly. We recommend setting the air supply lever to the optimum position at nominal output (pos. B, B1). Do not reload new dose until the wood burns to glowing coals.

### 4 Termination of heating process

Once the wood in the chamber burns out, move the air supply lever to closed position. This will prevent unwanted leakage of accumulated heat into the chimney / outside (pos. A).



- 1** preparation of fuel for heating
- 2** placements of wood in the chamber
- 3** igniting the wood from above
- 4** stoking



- A** closed
- B** open – heating at nominal output (optimal operation)
- C** open – starting a fire position (putting the product into operation)

- A** closed
- B1** open – heating at nominal output (optimal operation)
- B2** open – primary air closed
- C** open – starting a fire position (putting the product into operation)

## Declared qualities stated

| Harmonised technical specification   |                                    |                           |                              |
|--|------------------------------------|---------------------------|------------------------------|
| ✓ EN 16510-1 ed.2:2023   EN 16510-2-2:2022 ✓ Ecodesign ✓ DIN+ ✓ BImSchV2 ✓ 15a B-VG 2015 |                                    |                           |                              |
| Classification of appliance  | Type BE                            |                           |                              |
|  |                                    | Nominal heat output (nom) | Part load heat output (part) |
| Energy efficiency  | $\eta_{nom}   \eta_{part}$         | 80                        | ---                          |
| Seasonal space heating energy efficiency at nominal heat output                          | $\eta_{s,nom}   \eta_{s,part}$     | 70                        | ---                          |
| Energy Efficiency Index  | EEI                                | 106                       |                              |
| Energy label   |                                    | A                         |                              |
| Fuel   |                                    | Wood logs                 |                              |
| Fuel length  |                                    | 250-400                   |                              |
| Average fuel consumption   |                                    | 3,30                      | ---                          |
| Allowed fuel dose  |                                    | 4,3                       |                              |
| Fuel supply interval   |                                    | 1 hour                    |                              |
| Base layer of fuel   |                                    | 0,33                      | ---                          |
| Criterion for the end of the test cycle  |                                    | 4,0                       | ---                          |
| Amount of combustion air   |                                    | 41,8                      |                              |
| Nominal heat output  | $P_{nom}   P_{part}$               | 11,0                      | ---                          |
| Hot-water exchanger nominal heat output  | $P_{W,nom}   P_{W,part}$           | ---                       | ---                          |
| Maximum water operating pressure   | $p_W$                              | ---                       |                              |
| Dry flue gas mass flow rate  | $\Phi_{f,g,nom}   \Phi_{f,g,part}$ | 8,7                       | ---                          |
| Flue gas outlet temperature  | $T_{s,nom}   T_{s,part}$           | 343                       | ---                          |
| Flue draught   | $p_{nom}   p_{part}$               | 12                        | ---                          |
| Chimney temperature class  |                                    | T400                      |                              |
| Connection to the common chimney   |                                    | Yes                       |                              |
| Storage of fuel in the wood shed area  |                                    | No                        |                              |
| Maximum warming of the wood in the wood shed   |                                    | ---                       |                              |
| Dust O <sub>2</sub> = 13 %   | $PM_{nom}   PM_{part}$             | 22                        | ---                          |
| CO <sub>2</sub>  |                                    | 10,81                     | ---                          |
| Emissions of gases of combustion (CO in the flue gases at O <sub>2</sub> = 13 %)         | $CO_{nom}   CO_{part}$             | 0,0547<br>684             | ---                          |
| OGC O <sub>2</sub> = 13 %  | $OGC_{nom}   OGC_{part}$           | 48                        | ---                          |
| NOx O <sub>2</sub> = 13 %  | $NO_{x,nom}   NO_{x,part}$         | 101                       | ---                          |
| Automatic regulation unit of burning   |                                    | ---                       | ---                          |
| Electricity consumption in standby mode  | $e_{l,SB}$                         | ---                       |                              |
| Electricity consumption  | $e_{l,max}   e_{l,min}$            | ---                       | ---                          |
| Intermittent operation   Continuous operation  | INT   CON                          | INT                       |                              |

## Basic technical data

|  |           |                  |    |
|--|-----------|------------------|----|
| Principal dimensions (Height   Width   Length) | H   W   L | 1024   779   533 | mm |
| Combustion chamber dimensions                  | H   W   L | 385   608   328  | mm |
| Fireplace door dimensions                      | H   W   L | 467   664   ---  | mm |
| Axis height of the rear (side) outlet          |           | ---              | mm |
| Volume of hot-water exchanger                  |           | ---              | l  |
| Flue diameter                                  |           | 150              | mm |
| Diameter of flue throat                        | $d_{out}$ | 150              | mm |
| Diameter of external air connection            |           | 150              | mm |
| Maximum length (pipe) of external air intake   |           | 6000             | mm |
| Weight   | m         | 167              | kg |

## Heat capacity

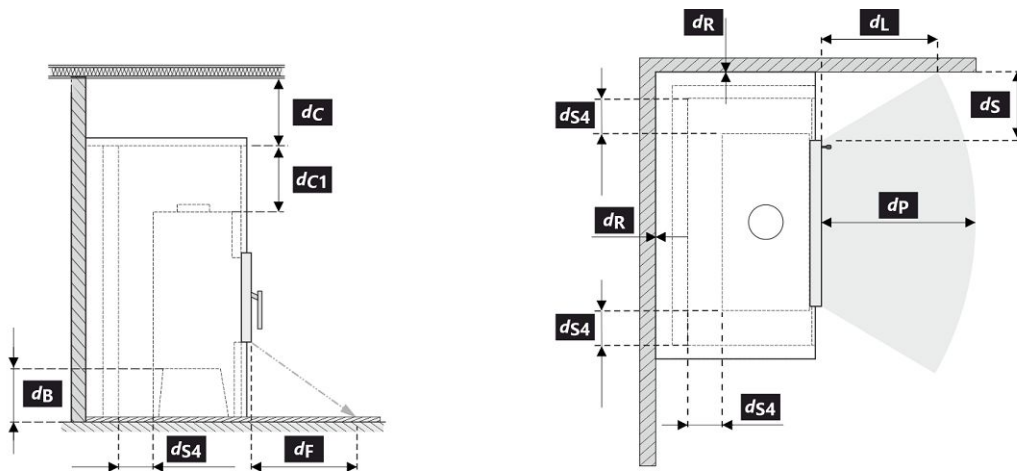
### minimum size of the room of appliance installation

|  |   |     |  |                |
|--|---|-----|--|----------------|
| Insulation of the house – very good (20 W/m <sup>3</sup> ) | e.g. new, insulated house / permanently inhabited | 320 |  | m <sup>3</sup> |
| Insulation of the house – good (22,5 W/m <sup>3</sup> )    |   | 284 |  | m <sup>3</sup> |
| Insulation of the house – middle (32 W/m <sup>3</sup> )    |   | 200 |  | m <sup>3</sup> |
| Insulation of the house – bad (45 W/m <sup>3</sup> )       |   | 142 |  | m <sup>3</sup> |
| Insulation of the house – very bad (50 W/m <sup>3</sup> )  | e.g. old, uninsulated house / cottage / chalet    | 128 |  | m <sup>3</sup> |

## Distances from flammable materials

### Note

|   |                  |      |     |    |
|---|------------------|------|-----|----|
| Back  | $d_R$            | 0    |     | mm |
| Front   | $d_P$   $d_{P1}$ | 1400 | --- | mm |
| Front to the floor  | $d_F$   $d_{F1}$ | 480  | --- | mm |
| Side  | $d_S$   $d_{S1}$ | 420  | *   | mm |
| Side – niche  | $d_{S2}$         | ---  |     | mm |
| Side – location 45°   | $d_{S3}$         | ---  |     | mm |
| Side radiation  | $d_L$   $d_{L1}$ | 430  | --- | mm |
| From the floor  | $d_B$            | 100  |     | mm |
| From the ceiling  | $d_C$            | 500  |     | mm |
| From the back and side edge of the fireplace insert to the inside of the insulation | $d_{S4}$         | 120  | *   | mm |



All local regulations, including regulations relating to national and European standards, must be observed during the installation and operation of the product.

- \* If the distance from the door glass to the combustible side wall is  $d_S < 420$  mm and must not be  $d_{S4} < 120$  mm, this wall must be protected by a SILCA 250 (SILCA® 250SB, thickness 40 mm) or can be replaced by an adequate substitute.

| Legend | Note | Description                               | Material           | Dimension |
|--------|------|---|--------------------|-----------|
| 1      |      | Appliance                                 | 179H 0000 005      |           |
| 2      |      | Flue gas outlet                           | metal              | DN150     |
| 3      |      | Insulation of the flue gas connection     |                    |           |
| 4      |      | Mineral insulation                        |                    |           |
| 5      |      | Convection air space around the appliance |                    |           |
| 6      |      | Protective insulation of walls            | SILCA 250          | 2x50 mm   |
| 6A     |      | Protective ceiling insulation             | SILCA 250          | 80 mm     |
| 7      |      | Protective wall                           | hollow burnt brick | 100 mm    |
| 8      |      | Combustible wall                          |                    |           |
| 9      |      | Concrete slab                             |                    |           |

|                       |   |           |                      |
|-----------------------|---|-----------|----------------------|
| 10                    | Combustible floor   |           |                      |
| 11                    | Decorative / ornamental beam  |           |                      |
| 12                    | Beam with ventilation air gap   |           |                      |
| 13                    | Convection air inlet  |           | 800 cm <sup>2</sup>  |
| 14                    | Convection air outlet   |           | 1000 cm <sup>2</sup> |
| 15                    | Lining  | SILCA 250 | 40 mm                |
| 16                    | Support frame   |           |                      |
| 17                    | Combustible ceiling   |           |                      |
| 18                    | Protective insulation board for combustible floors  | SILCA 250 | 40 mm                |
| 19                    | Combustion air regulation   |           |                      |
| 20                    | Sheet metal cover if mineral wool is used   |           |                      |
| 21                    | If necessary, a floor protection plate under the appliance  |           |                      |
| <b>d<sub>c</sub></b>  | From the top of the exhaust vent to the combustible ceiling   |           | 500 mm               |
| <b>d<sub>c1</sub></b> | – From the top of the fireplace insert to the underside of the ceiling insulation   |           | 300 mm               |
|                       | – In the case of an installed heat exchanger from the top edge of the heat exchanger to the underside of the ceiling insulation |           | --- mm               |
| <b>d<sub>s4</sub></b> | * From the back and side edge of the fireplace insert to the inside of the insulation   |           | 120 mm               |
| <b>d<sub>ss</sub></b> | From the front edge of the fireplace insert to the inside of the insulation   |           | 10 mm                |
| <b>d<sub>B</sub></b>  | From the bottom of the fireplace insert to the fireproof floor  |           | 100 mm               |

**Caution:** Fire protection / insulation boards SILCA® 250SB can be replaced by a suitable nonflammable material with a thermal conductivity ( $\lambda$ )  $\leq 1,1 \text{ W}\cdot\text{m}^{-1}\cdot\text{K}^{-1}$ .

Protective wall – hollow burnt brick (thickness 100 mm) can be replaced by a suitable nonflammable material with a thermal conductivity ( $\lambda$ )  $\leq 0,36 \text{ W}\cdot\text{m}^{-1}\cdot\text{K}^{-1}$ .



### Notice



If the products are installed in areas where air is suctioned by fans, hoods, heating or ventilation equipment, external air intake (EAI) must be ensured. Turn off all ventilation devices in the house before the planned stoking.

The product must be installed on floors with adequate load bearing capacity.

Adequate access for cleaning and maintenance of your product, flue and chimney must be provided during installation, unless the product can be cleaned from another location such as the roof or a dedicated door.

The product and its flue gas paths must be regularly and thoroughly rechecked and cleaned before and after the heating season.



Read the general instructions carefully.

## The product label

**1** LOGO

**2** Company  
WEB

**3** CE 24

**4** TYPE  
THE MODEL NUMBER

**5** Residential solid fuel burning appliance – with water heating.  
Häusliche Feuerstätte für feste Brennstoffe – mit Warmwasserbereitung.  
Appareil à combustibles solides dans les bâtiments résidentiels – avec chauffage de l'eau.  
Apparecchio a combustibili solidi in edifici residenziali – con riscaldamento dell'acqua.

**6** Use only these recommended fuels. | Verwenden Sie nur diese empfohlenen Brennstoffe.  
N'utilisez que ces combustibles recommandés. | Usare solo questi combustibili raccomandati.  
Wood logs | Scheitholz | Büches | Legna

**7** Type of appliance | Klassifizierung des Geräts  
Classification de l'appareil | Classificazione dell'apparecchio Typ B

**8** Standards | Normen  
Normes | Norme ČSN EN 16510-1 ed. 2:2023 | Ecodesign | BImSchV2 | DIN+ | 15a B-VG 2015

|  |                    | nom | part |   |
|--|--------------------|-----|------|---|
| P                                      | kW                 |     |      | DOP/CPR doc   |
| P <sub>w</sub>                         | kW                 |     |      |   |
| η                                      | %                  | ≥   | ≥    |   |
| CO (13 % O <sub>2</sub> )              | mg/Nm <sup>3</sup> | ≤   | ≤    | <b>When installing and operating the product, follow the installation instructions and general instructions. Not for continuous heating.</b><br><b>Bei der Installation und dem Betrieb des Produkts sind die Installations- und die allgemeine Bedienungsanleitung zu beachten. Die Feuerstätte ist nicht für den Dauerbetrieb geeignet.</b><br><b>Lors de l'installation et de l'utilisation du produit, suivez les instructions d'installation et le mode d'emploi général. L'appareil n'est pas conçu pour un chauffage continu.</b><br><b>Per l'installazione e il funzionamento del prodotto, attenersi alle istruzioni di installazione e alle istruzioni generali. Non per il riscaldamento continuo.</b> |
| NO <sub>x</sub> (13 % O <sub>2</sub> ) | mg/Nm <sup>3</sup> | ≤   | ≤    |   |
| OGC (13 % O <sub>2</sub> )             | mg/Nm <sup>3</sup> | ≤   | ≤    |   |
| PM (13 % O <sub>2</sub> )              | mg/Nm <sup>3</sup> | ≤   | ≤    |   |
| p                                      | Pa                 |     |      |   |
| P <sub>w</sub>                         | bar                |     |      |   |
| d <sub>c</sub>                         | mm                 |     |      |   |
| d <sub>F</sub>                         | mm                 |     |      |   |
| d <sub>L</sub>                         | mm                 |     |      |   |
| d <sub>B</sub>                         | mm                 |     |      |   |
| d <sub>Rnon</sub>                      | mm                 |     |      |   |
| d <sub>Snon</sub>                      | mm                 |     |      |   |
| d <sub>S2non</sub>                     | mm                 |     |      |   |
| W <sub>max</sub>                       | W                  |     | NPD  |   |
| T <sub>s</sub>                         | °C                 |     |      |   |
| V <sub>h</sub>                         | m <sup>3</sup> /h  |     | NPD  |   |
| d <sub>out</sub>                       | mm                 |     |      |   |
| H                                      | mm                 |     |      |   |
| W                                      | mm                 |     |      |   |
| L                                      | mm                 |     |      |   |

**10** DOP/CPR doc

**11** When installing and operating the product, follow the installation instructions and general instructions. Not for continuous heating.  
Bei der Installation und dem Betrieb des Produkts sind die Installations- und die allgemeine Bedienungsanleitung zu beachten. Die Feuerstätte ist nicht für den Dauerbetrieb geeignet.  
Lors de l'installation et de l'utilisation du produit, suivez les instructions d'installation et le mode d'emploi général. L'appareil n'est pas conçu pour un chauffage continu.  
Per l'installazione e il funzionamento del prodotto, attenersi alle istruzioni di installazione e alle istruzioni generali. Non per il riscaldamento continuo.

**12** Serial number | Seriennummer  
Numéro de série | Numero di serie

NUMBER

- The manufacturer's name or registered trade mark
- Company headquarters, website
- CE mark of conformity – The digits indicate the year of issue of the certificate
- The type and/or the model number designation to enable the appliance to be identified
- Product specifications
- Recommended fuel
- Type of appliance
- Applicable standards
- Table of values

**nom** – values at nominal heat output

**part** – Values at part load heat output

P – heat output

P<sub>w</sub> – hot-water exchanger heat output

η – energy efficiency

CO – CO emissions at 13 % O<sub>2</sub>

NO<sub>x</sub> – NO<sub>x</sub> at 13 % O<sub>2</sub>

OGC – OGC at 13 % O<sub>2</sub>

PM – dust at 13 % O<sub>2</sub>

p – minimum flue draught

p<sub>w</sub> – maximum operating pressure

**Distance from flammable materials:**

d<sub>R</sub> – back

d<sub>S</sub> – side

d<sub>C</sub> – from the ceiling

d<sub>F</sub> – front

d<sub>F</sub> – front to the floor

d<sub>L</sub> – side radiation

d<sub>B</sub> – from the floor

**Distance from nonflammable materials:**

d<sub>Rnon</sub> – back

d<sub>Snon</sub> – side

d<sub>S2non</sub> – side (niche)

**Qualities stated:**

W<sub>max</sub> – maximum electric power input

T<sub>s</sub> – flue gas outlet temperature

V<sub>h</sub> – standing air loss

d<sub>out</sub> – diameter of the flue throat

H – height

W – width

L – depth (length)

NPD (No Performance Determined) – an international abbreviation that can be used if no property or parameters are specified. The label complies with EU Regulation No. 305/2011.

**10.** Document: DOP / CPR

**11.** Instructions

**12.** Barcode | The serial number

Bei der Installation des Produkts müssen alle örtlichen Vorschriften, einschließlich derjenigen, die sich auf nationale und europäische Normen beziehen, beachtet werden. Die Montage und Installation des von Ihnen gewählten Produkts darf nur von einem autorisierten Händler der **Romotop spol. s r.o.** durchgeführt werden, damit die Garantie anerkannt wird und das Produkt einwandfrei funktioniert. Dieses Produkt ist nicht als Hauptwärmequelle zum Heizen geeignet.

## Gebrauchsanweisungen

Bitte beachten Sie die Informationen und Hinweise in der Allgemeinen.

## Kaminzug

Betrieblicher Kaminzug 12 Pa.  
Maximaler Betriebszug 20 Pa. Der Kaminzug wird während dem Betrieb gemessen. Wir empfehlen einen Zugbegrenzer zu installieren. Dieser ist beim Heizen mit einer automatischen Verbrennungsregelung notwendig.

## Zugelassener Brennstoff

Trockenes Scheitholz mit einer Restfeuchte von bis zu 20 %. Der durchschnittliche Verbrauch von – 3,30 kg/h ist stets einzuhalten. Die empfohlene Länge in Abhängigkeit von der Brennkammergröße beträgt ca. 250-400 mm. Es sind stets mindestens zwei Holzstücke zu benutzen.

## Betrieb

### 1 Lack einbrennen

Wenn Ihr Ofen einen verschließbaren Rost hat, lassen Sie ihn offen. Führen Sie das erste Anfeuern mit einer kleineren Holzmenge (feineres Holz, ca. ½ der durchschnittlichen Brennstoffmenge) durch. Lassen Sie die Brennkammertür einen Spalt bereit offen (ca. 2 cm), damit die Dichtungsschnur nicht am Lack kleben bleibt und öffnen Sie komplett die Luftzufuhr (Pos. C). Schonendes Heizen verhindert Lackschäden und Verformungen.

Nach dem das Holz bis zur Glut verbrannt ist, können Sie mit dem Einbrennen fortfahren. Befüllen Sie die Brennkammer mit der zulässigen Brennstoffmenge (feineres Holz). Lassen Sie die Tür einen Spalt breit offen (etwa 2 cm). Der Lack an der Tür muss ausreichend aushärten. Wiederholen Sie den Vorgang mindestens weitere 2–3 Male mit der zulässigen Brennstoffmenge und geöffneter Luftzufuhr (Pos. C). Beim Einbrennen kommt es zur Lackausgasungen. Sorgen Sie deshalb während der gesamten Einbrennphase für ausreichende Belüftung des Stellraumes.

### 2 Anheizen

Öffnen Sie den Luftschieber (Pos. C), aber nur, wenn Ihr Kaminofen nicht mit einer automatischen Abbrandsteuerung ausgestattet ist. Falls vorhanden, öffnen Sie den Gusseisen-Rost. Benutzen Sie zum Anheizen die max. zweifache durchschnittliche Brennstoffmenge. Legen Sie zuerst größere trockene

Holzstücke auf den Boden der Brennkammer und stapeln feineres Anzündholz darüber (Abb. 2) – Anzünden von oben. Verwenden Sie zum Anzünden einen geeigneten Zünder. Falls nötig, lassen Sie die Tür für kurze Zeit leicht geöffnet (ca. 2 cm), damit das Feuer genügend Luft zum Entflammen bekommt. Während des Regelbetriebs ist die Brennkammertür stets geschlossen zu halten. Legen Sie erst wieder Holz nach, wenn die vorherige Holzmenge bis zur Glut abgebrannt ist und die Flammen erloschen sind.

### 3 Heizen und Nachlegen

Öffnen Sie zuerst spaltbreit die Feuerraumtür und warten etwa 10 Sekunden, um den Druck im Raum auszugleichen. Dadurch wird ein mögliches Austreten von Asche und Rauch in den Raum verhindert. Legen Sie nur die für das Produkt geeignete Holzmenge nach, siehe durchschnittlichen Brennstoffverbrauch (Abb. 4). Schließen Sie danach die Feuerraumtür. Es wird empfohlen, den Luftregler auf die optimale Position bei Standardmenge einzustellen (Pos. B, B1). Legen Sie erst nach, wenn das Holz bis zur Glut abgebrannt ist.

### 4 Heizen beenden

Um ein unerwünschtes Entweichen der kumulierten Wärme in den Schornstein zu verhindern, empfehlen wir Ihnen den Luftregler nach dem Ausbrennen der Brennkammer zu schließen (Pos. A).



- 1** Brennstoff vorbereiten
- 2** Holz in der Brennkammer stapeln
- 3** Anzünden von oben
- 4** Nachlegen



- A** geschlossen
- B** offen – Heizen im Nennwärmeleistung (optimaler Betrieb)
- C** offen – Position bei Inbetriebnahme (Anheizen)

- A** geschlossen
- B1** offen – Heizen im Nennwärmebereich
- B2** offen – Primärluft geschlossen
- C** offen – Position bei Inbetriebnahme (Anheizen)

**Deklarierte Produkteigenschaften**

| Harmonisierte technische Spezifikation   |                                      |                         |                              |
|--|--------------------------------------|-------------------------|------------------------------|
| ✓ EN 16510-1 ed.2:2023   EN 16510-2-2:2022 ✓ Ecodesign ✓ DIN+ ✓ BImSchV2 ✓ 15a B-VG 2015 |                                      |                         |                              |
| Produktklassifizierung   | Type BE                              |                         |                              |
|  |                                      | Nennwärmeleistung (nom) | Teillastwärmeleistung (part) |
| Energiewirkungsgrad  | $\eta_{nom}$   $\eta_{part}$         | 80                      | ---                          |
| Raumheizungs-Jahresnutzungsgrad  | $\eta_{Snom}$   $\eta_{Spart}$       | 70                      | ---                          |
| Energieeffizienzindex  | EEI                                  | 106                     |                              |
| Energielabel   |                                      | A                       |                              |
| Brennstoff   |                                      | Scheitholz              |                              |
| Brennstofflänge  |                                      | 250-400                 |                              |
| Durchschnittlicher Brennstoffverbrauch   |                                      | 3,30                    | ---                          |
| Zulässiger Brennstoffverbrauch   |                                      | 4,3                     |                              |
| Brennstofflieferintervall  |                                      | 1 Stunde                |                              |
| Grundglutmasse   |                                      | 0,33                    | ---                          |
| Kriterium für das Ende des Prüfzyklus  |                                      | 4,0                     | ---                          |
| Verbrennungsluftmenge  |                                      | 41,8                    |                              |
| Nennwärmeleistung  | $P_{nom}$   $P_{part}$               | 11,0                    | ---                          |
| Wärmetauscherleistung  | $P_{Wnom}$   $P_{Wpart}$             | ---                     | ---                          |
| Maximaler Wasserbetriebsdruck  | $P_W$                                | ---                     |                              |
| Rauchgasmassenstrom (trocken)  | $\Phi_{f,g nom}$   $\Phi_{f,g part}$ | 8,7                     | ---                          |
| Rauchgasaustrittstemperatur  | $T_{snom}$   $T_{spart}$             | 343                     | ---                          |
| Förderdruck  | $p_{nom}$   $p_{part}$               | 12                      | ---                          |
| Temperaturklasse   |                                      | T400                    |                              |
| Mehrfachbelegung   |                                      | Ja                      |                              |
| Lagerung von Brennstoff im Holzfach  |                                      | Nein                    |                              |
| Maximale Erwärmung des Holzes im Holzfach  |                                      | ---                     |                              |
| Feinstaub O <sub>2</sub> = 13 %  | $PM_{nom}$   $PM_{part}$             | 22                      | ---                          |
| CO <sub>2</sub>  |                                      | 10,81                   | ---                          |
| Abgasemission (CO in den Abgasen bei O <sub>2</sub> = 13 %)                              | $CO_{nom}$   $CO_{part}$             | 0,0547<br>684           | ---                          |
| OGC O <sub>2</sub> = 13 %  | $OGC_{nom}$   $OGC_{part}$           | 48                      | ---                          |
| NO <sub>x</sub> O <sub>2</sub> = 13 %  | $NO_{xnom}$   $NO_{xpart}$           | 101                     | ---                          |
| Automatische Abbrandsteuerung  |                                      | ---                     | ---                          |
| Stromverbrauch im Bereitschaftszustand   | $e_{lsb}$                            | ---                     |                              |
| Stromverbrauch   | $e_{lmax}$   $e_{lmin}$              | ---                     | ---                          |
| Intervallbetrieb   Dauerbetrieb  | INT   CON                            | INT                     |                              |

**Technische Grunddaten**

|   |           |                  |    |
|---|-----------|------------------|----|
| Hauptabmessungen (Höhe   Breite   Tiefe)              | H   W   L | 1024   779   533 | mm |
| Abmessungen der Brennkammer (Höhe   Breite   Tiefe)   | H   W   L | 385   608   328  | mm |
| Abmessungen der Feuerraumtür (Höhe   Breite   Tiefe)  | H   W   L | 467   664   ---  | mm |
| Achshöhe hinterer (seitlichen) Rauchrohanschluss      |           | ---              | mm |
| Volumen Wärmetauscher                                 |           | ---              | l  |
| Rauchrohrdurchmesser                                  |           | 150              | mm |
| Abgasstutzen  | $d_{out}$ | 150              | mm |
| Durchmesser zentrale Luftzufuhr                       |           | 150              | mm |
| Maximale Länge (Rohrleitung) der zentralen Luftzufuhr |           | 6000             | mm |
| Gewicht   | m         | 167              | kg |

## Heizleistung (Brennwert)

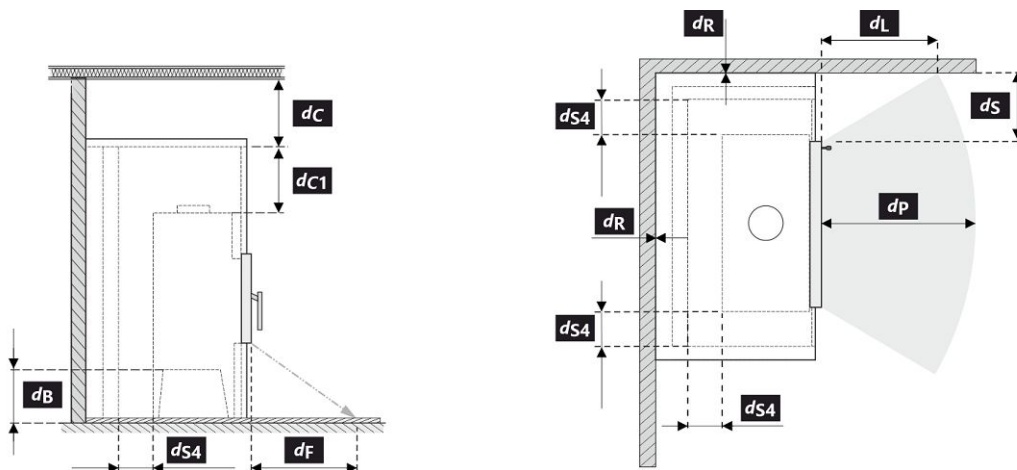
mindestraumgröße für die Installation des Produkts

|  |   |     |                |
|--|---|-----|----------------|
| Wärmedämmung des Hauses – sehr gut (20 W/m <sup>3</sup> )      | z.B. neues, isoliertes Haus / ständig bewohnt | 320 | m <sup>3</sup> |
| Wärmedämmung des Hauses – gut (22,5 W/m <sup>3</sup> )         |   | 284 | m <sup>3</sup> |
| Wärmedämmung des Hauses – mittel (32 W/m <sup>3</sup> )        |   | 200 | m <sup>3</sup> |
| Wärmedämmung des Hauses – schlecht (45 W/m <sup>3</sup> )      |   | 142 | m <sup>3</sup> |
| Wärmedämmung des Hauses – sehr schlecht (50 W/m <sup>3</sup> ) | z.B. altes, ungedämmtes Haus / Hütte / Chalet | 128 | m <sup>3</sup> |

## Abstand zu brennbaren Materialien

## Bemerkung

|   |                  |      |    |
|---|------------------|------|----|
| Rückwand  | $d_R$            | 0    | mm |
| Strahlungsbereich   | $d_P$   $d_{P1}$ | 1400 | mm |
| Strahlungsbereich zum Boden   | $d_F$   $d_{F1}$ | 480  | mm |
| Seitenwände   | $d_S$   $d_{S1}$ | 420  | mm |
| Seite – Nische  | $d_{S2}$         | ---  | mm |
| Seite – Ausrichtung 45°   | $d_{S3}$         | ---  | mm |
| Seitliche Strahlung   | $d_L$   $d_{L1}$ | 430  | mm |
| Von dem Boden   | $d_B$            | 100  | mm |
| Decke   | $d_C$            | 500  | mm |
| Von der hinteren- und seitlichen Kante des Kamineinsatzes bis zur Innenseite der Isolierung | $d_{S4}$         | 120  | mm |



Bei der Installation und dem Betrieb des Ofens sind alle örtlichen Vorschriften sowie nationale und europäische Normen zu beachten.

- \* Wenn der Abstand vom Türglas zur brennbaren Seitenwand  $d_S < 420$  mm beträgt und nicht  $d_{S4} < 120$  mm sein darf, muss diese Wand durch eine SILCA 250 (SILCA® 250SB, Dicke 40 mm) Dämmplatte oder einen geeigneten Ersatz geschützt werden.

| Legende | Bemerkung                           | Beschreibung | Material              | Maß     |
|---------|-------------------------------------|--------------|-----------------------|---------|
| 1       | Gerät                               |              | 179H 0000 005         |         |
| 2       | Rauchgasabgang                      |              | metall                | DN150   |
| 3       | Isolierung Anschluss Rauchgasabgang |              |                       |         |
| 4       | Mineralwolleisolierung              |              |                       |         |
| 5       | Konvektionsraum um das Gerät        |              |                       |         |
| 6       | Schutzisolierung der Wände          |              | SILCA 250             | 2x50 mm |
| 6A      | Schutzisolierung der Decke          |              | SILCA 250             | 80 mm   |
| 7       | Schutzwand                          |              | gebrannter hohlziegel | 100 mm  |
| 8       | Brennbare Wand                      |              |                       |         |

|                       |  |           |                      |
|-----------------------|--|-----------|----------------------|
| 9                     | Betonplatte  |           |                      |
| 10                    | Brennbarer Boden   |           |                      |
| 11                    | Dekorativer Träger   |           |                      |
| 12                    | Träger mit Belüftungsspalt   |           |                      |
| 13                    | Konvektionslufteinlass   |           | 800 cm <sup>2</sup>  |
| 14                    | Konvektionsluftauslass   |           | 1000 cm <sup>2</sup> |
| 15                    | Verkleidung  | SILCA 250 | 40 mm                |
| 16                    | Tragrahmen   |           |                      |
| 17                    | Brennbare Decke  |           |                      |
| 18                    | Schutzisierungsplatte des brennbaren Bodens  | SILCA 250 | 40 mm                |
| 19                    | Verbrennungsluftregulierung  |           |                      |
| 20                    | Blechabdeckung bei Verwendung von Mineralwolle   |           |                      |
| 21                    | Falls nötig eine Bodenschutzplatte unter dem Gerät   |           |                      |
| <b>d<sub>c</sub></b>  | Von der Oberkante der Abluftöffnung bis zur brennbaren Decke   |           | 500 mm               |
| <b>d<sub>c1</sub></b> | - Von der Oberkante des Kamineinsatzes bis zur Unterkante der Deckenisolierung   |           | 300 mm               |
|                       | - Im Falle eines eingebauten Wärmetauschers - von der Oberkante des Wärmetauschers bis zur Unterseite der Deckenisolierung |           | --- mm               |
| <b>d<sub>s4</sub></b> | * Von der hinteren- und seitlichen Kante des Kamineinsatzes bis zur Innenseite der Isolierung                              |           | 120 mm               |
| <b>d<sub>s5</sub></b> | Von der Vorder Kante des Kamineinsatzes bis zur Innenseite der Isolierung  |           | 10 mm                |
| <b>d<sub>B</sub></b>  | Von der Unterseite des Kamineinsatzes bis zum feuerfesten Boden  |           | 100 mm               |

**Warnhinweise:** Brandschutz- / Dämmplatten SILCA® 250SB kann durch ein geeignetes nicht brennbares Material mit einer Wärmeleitfähigkeit ( $\lambda$ )  $\leq 1,1 \text{ W}\cdot\text{m}^{-1}\cdot\text{K}^{-1}$  ersetzt werden.

Schutzwand – gebrannter Hohlziegel (Dicke 100 mm) kann durch ein geeignetes nicht brennbares Material mit einer Wärmeleitfähigkeit ( $\lambda$ )  $\leq 0,36 \text{ W}\cdot\text{m}^{-1}\cdot\text{K}^{-1}$  ersetzt werden.



## Warnhinweise



Bei Installation in Räumen mit Ventilatoren, Abzugshauben, Lüftungs-, Heizungs- oder Belüftungsanlagen muss eine ausreichende Luftzufuhr (ZLZ) gewährleistet sein. Schalten Sie alle Lüftungsanlagen in Ihrer Wohnung vor dem Nachlegen aus.

Das Produkt muss auf Böden mit ausreichender Tragfähigkeit installiert werden.

Wählen Sie den Aufstellungsort so aus, dass ausreichend Platz zur Reinigung und Instandhaltung vom Kaminofen, Rauchrohr und Schornstein vorhanden ist, falls die Reinigung nicht von anderen Stellen – wie z.B. vom Dach – durchgeführt werden kann.

Produkt und seine Abgasleitungen sollten regelmäßig vor und nach der Heizperiode überprüft und gereinigt werden.



Lesen Sie die allgemeine Bedienungsanleitung sorgfältig durch.

| 1                                      | LOGO  | 3      | CE24   | 4  | TYPE<br>THE MODEL NUMBER  |      |   |    |  |  |        |   |        |        |                           |                    |        |        |  |                    |        |        |                            |                    |        |        |                           |                    |        |        |   |    |  |  |                |     |  |  |                |    |  |  |                |    |  |  |                |    |  |  |                |    |  |  |                |    |  |  |                |    |  |  |                    |    |  |  |                   |    |  |  |                  |   |     |  |                |    |  |  |                |                   |     |  |                  |    |  |  |   |    |  |  |   |    |  |  |   |    |  |  |    |                |
|--|---|--------|--------|----|---|------|---|----|--|--|--------|---|--------|--------|---------------------------|--------------------|--------|--------|--|--------------------|--------|--------|----------------------------|--------------------|--------|--------|---------------------------|--------------------|--------|--------|---|----|--|--|----------------|-----|--|--|----------------|----|--|--|----------------|----|--|--|----------------|----|--|--|----------------|----|--|--|----------------|----|--|--|----------------|----|--|--|--------------------|----|--|--|-------------------|----|--|--|------------------|---|-----|--|----------------|----|--|--|----------------|-------------------|-----|--|------------------|----|--|--|---|----|--|--|---|----|--|--|---|----|--|--|----|----------------|
| 2                                      | Company<br>WEB  |        |        |    |   |      |   |    |  |  |        |   |        |        |                           |                    |        |        |  |                    |        |        |                            |                    |        |        |                           |                    |        |        |   |    |  |  |                |     |  |  |                |    |  |  |                |    |  |  |                |    |  |  |                |    |  |  |                |    |  |  |                |    |  |  |                    |    |  |  |                   |    |  |  |                  |   |     |  |                |    |  |  |                |                   |     |  |                  |    |  |  |   |    |  |  |   |    |  |  |   |    |  |  |    |                |
| 5                                      | Residential solid fuel burning appliance – with water heating.<br>Häusliche Feuerstätte für feste Brennstoffe – mit Warmwasserbereitung.<br>Appareil à combustibles solides dans les bâtiments résidentiels – avec chauffage de l'eau.<br>Apparecchio a combustibili solidi in edifici residenziali – con riscaldamento dell'acqua.   |        |        |    |   |      |   |    |  |  |        |   |        |        |                           |                    |        |        |  |                    |        |        |                            |                    |        |        |                           |                    |        |        |   |    |  |  |                |     |  |  |                |    |  |  |                |    |  |  |                |    |  |  |                |    |  |  |                |    |  |  |                |    |  |  |                    |    |  |  |                   |    |  |  |                  |   |     |  |                |    |  |  |                |                   |     |  |                  |    |  |  |   |    |  |  |   |    |  |  |   |    |  |  |    |                |
| 6                                      | Use only these recommended fuels.   Verwenden Sie nur diese empfohlenen Brennstoffe.<br>N'utilisez que ces combustibles recommandés.   Usare solo questi combustibili raccomandati.<br>Wood logs   Scheitholz   Bûches   Legna  |        |        |    |   |      |   |    |  |  |        |   |        |        |                           |                    |        |        |  |                    |        |        |                            |                    |        |        |                           |                    |        |        |   |    |  |  |                |     |  |  |                |    |  |  |                |    |  |  |                |    |  |  |                |    |  |  |                |    |  |  |                |    |  |  |                    |    |  |  |                   |    |  |  |                  |   |     |  |                |    |  |  |                |                   |     |  |                  |    |  |  |   |    |  |  |   |    |  |  |   |    |  |  |    |                |
| 7                                      | Type of appliance   Klassifizierung des Geräts<br>Classification de l'appareil   Classificazione dell'apparecchio<br>Typ B  |        |        |    |   |      |   |    |  |  |        |   |        |        |                           |                    |        |        |  |                    |        |        |                            |                    |        |        |                           |                    |        |        |   |    |  |  |                |     |  |  |                |    |  |  |                |    |  |  |                |    |  |  |                |    |  |  |                |    |  |  |                |    |  |  |                    |    |  |  |                   |    |  |  |                  |   |     |  |                |    |  |  |                |                   |     |  |                  |    |  |  |   |    |  |  |   |    |  |  |   |    |  |  |    |                |
| 8                                      | Standards   Normen<br>Normes   Norme<br>ČSN EN 16510-1 ed. 2:2023   Ecodesign   BImSchV2   DIN+   15a B-VG 2015   |        |        |    |   |      |   |    |  |  |        |   |        |        |                           |                    |        |        |  |                    |        |        |                            |                    |        |        |                           |                    |        |        |   |    |  |  |                |     |  |  |                |    |  |  |                |    |  |  |                |    |  |  |                |    |  |  |                |    |  |  |                |    |  |  |                    |    |  |  |                   |    |  |  |                  |   |     |  |                |    |  |  |                |                   |     |  |                  |    |  |  |   |    |  |  |   |    |  |  |   |    |  |  |    |                |
| 9                                      | <table border="1"> <thead> <tr> <th></th> <th></th> <th>nom</th> <th>part</th> </tr> </thead> <tbody> <tr> <td>P</td> <td>kW</td> <td></td> <td></td> </tr> <tr> <td><math>\eta</math></td> <td>%</td> <td><math>\geq</math></td> <td><math>\geq</math></td> </tr> <tr> <td>CO (13 % O<sub>2</sub>)</td> <td>mg/Nm<sup>3</sup></td> <td><math>\leq</math></td> <td><math>\leq</math></td> </tr> <tr> <td>NO<sub>x</sub> (13 % O<sub>2</sub>)</td> <td>mg/Nm<sup>3</sup></td> <td><math>\leq</math></td> <td><math>\leq</math></td> </tr> <tr> <td>OGC (13 % O<sub>2</sub>)</td> <td>mg/Nm<sup>3</sup></td> <td><math>\leq</math></td> <td><math>\leq</math></td> </tr> <tr> <td>PM (13 % O<sub>2</sub>)</td> <td>mg/Nm<sup>3</sup></td> <td><math>\leq</math></td> <td><math>\leq</math></td> </tr> <tr> <td>p</td> <td>Pa</td> <td></td> <td></td> </tr> <tr> <td>p<sub>w</sub></td> <td>bar</td> <td></td> <td></td> </tr> <tr> <td>d<sub>r</sub></td> <td>mm</td> <td></td> <td></td> </tr> <tr> <td>d<sub>f</sub></td> <td>mm</td> <td></td> <td></td> </tr> <tr> <td>d<sub>c</sub></td> <td>mm</td> <td></td> <td></td> </tr> <tr> <td>d<sub>B</sub></td> <td>mm</td> <td></td> <td></td> </tr> <tr> <td>d<sub>L</sub></td> <td>mm</td> <td></td> <td></td> </tr> <tr> <td>d<sub>S</sub></td> <td>mm</td> <td></td> <td></td> </tr> <tr> <td>d<sub>S2non</sub></td> <td>mm</td> <td></td> <td></td> </tr> <tr> <td>d<sub>Rnon</sub></td> <td>mm</td> <td></td> <td></td> </tr> <tr> <td>W<sub>max</sub></td> <td>W</td> <td>NPD</td> <td></td> </tr> <tr> <td>T<sub>s</sub></td> <td>°C</td> <td></td> <td></td> </tr> <tr> <td>V<sub>h</sub></td> <td>m<sup>3</sup>/h</td> <td>NPD</td> <td></td> </tr> <tr> <td>d<sub>out</sub></td> <td>mm</td> <td></td> <td></td> </tr> <tr> <td>H</td> <td>mm</td> <td></td> <td></td> </tr> <tr> <td>W</td> <td>mm</td> <td></td> <td></td> </tr> <tr> <td>L</td> <td>mm</td> <td></td> <td></td> </tr> </tbody> </table> |        |        |    | nom   | part | P | kW |  |  | $\eta$ | % | $\geq$ | $\geq$ | CO (13 % O <sub>2</sub> ) | mg/Nm <sup>3</sup> | $\leq$ | $\leq$ | NO <sub>x</sub> (13 % O <sub>2</sub> ) | mg/Nm <sup>3</sup> | $\leq$ | $\leq$ | OGC (13 % O <sub>2</sub> ) | mg/Nm <sup>3</sup> | $\leq$ | $\leq$ | PM (13 % O <sub>2</sub> ) | mg/Nm <sup>3</sup> | $\leq$ | $\leq$ | p | Pa |  |  | p <sub>w</sub> | bar |  |  | d <sub>r</sub> | mm |  |  | d <sub>f</sub> | mm |  |  | d <sub>c</sub> | mm |  |  | d <sub>B</sub> | mm |  |  | d <sub>L</sub> | mm |  |  | d <sub>S</sub> | mm |  |  | d <sub>S2non</sub> | mm |  |  | d <sub>Rnon</sub> | mm |  |  | W <sub>max</sub> | W | NPD |  | T <sub>s</sub> | °C |  |  | V <sub>h</sub> | m <sup>3</sup> /h | NPD |  | d <sub>out</sub> | mm |  |  | H | mm |  |  | W | mm |  |  | L | mm |  |  | 10 | DOP/CPR<br>doc |
|  |   | nom    | part   |    |   |      |   |    |  |  |        |   |        |        |                           |                    |        |        |  |                    |        |        |                            |                    |        |        |                           |                    |        |        |   |    |  |  |                |     |  |  |                |    |  |  |                |    |  |  |                |    |  |  |                |    |  |  |                |    |  |  |                |    |  |  |                    |    |  |  |                   |    |  |  |                  |   |     |  |                |    |  |  |                |                   |     |  |                  |    |  |  |   |    |  |  |   |    |  |  |   |    |  |  |    |                |
| P                                      | kW  |        |        |    |   |      |   |    |  |  |        |   |        |        |                           |                    |        |        |  |                    |        |        |                            |                    |        |        |                           |                    |        |        |   |    |  |  |                |     |  |  |                |    |  |  |                |    |  |  |                |    |  |  |                |    |  |  |                |    |  |  |                |    |  |  |                    |    |  |  |                   |    |  |  |                  |   |     |  |                |    |  |  |                |                   |     |  |                  |    |  |  |   |    |  |  |   |    |  |  |   |    |  |  |    |                |
| $\eta$                                 | %   | $\geq$ | $\geq$ |    |   |      |   |    |  |  |        |   |        |        |                           |                    |        |        |  |                    |        |        |                            |                    |        |        |                           |                    |        |        |   |    |  |  |                |     |  |  |                |    |  |  |                |    |  |  |                |    |  |  |                |    |  |  |                |    |  |  |                |    |  |  |                    |    |  |  |                   |    |  |  |                  |   |     |  |                |    |  |  |                |                   |     |  |                  |    |  |  |   |    |  |  |   |    |  |  |   |    |  |  |    |                |
| CO (13 % O <sub>2</sub> )              | mg/Nm <sup>3</sup>  | $\leq$ | $\leq$ |    |   |      |   |    |  |  |        |   |        |        |                           |                    |        |        |  |                    |        |        |                            |                    |        |        |                           |                    |        |        |   |    |  |  |                |     |  |  |                |    |  |  |                |    |  |  |                |    |  |  |                |    |  |  |                |    |  |  |                |    |  |  |                    |    |  |  |                   |    |  |  |                  |   |     |  |                |    |  |  |                |                   |     |  |                  |    |  |  |   |    |  |  |   |    |  |  |   |    |  |  |    |                |
| NO <sub>x</sub> (13 % O <sub>2</sub> ) | mg/Nm <sup>3</sup>  | $\leq$ | $\leq$ |    |   |      |   |    |  |  |        |   |        |        |                           |                    |        |        |  |                    |        |        |                            |                    |        |        |                           |                    |        |        |   |    |  |  |                |     |  |  |                |    |  |  |                |    |  |  |                |    |  |  |                |    |  |  |                |    |  |  |                |    |  |  |                    |    |  |  |                   |    |  |  |                  |   |     |  |                |    |  |  |                |                   |     |  |                  |    |  |  |   |    |  |  |   |    |  |  |   |    |  |  |    |                |
| OGC (13 % O <sub>2</sub> )             | mg/Nm <sup>3</sup>  | $\leq$ | $\leq$ |    |   |      |   |    |  |  |        |   |        |        |                           |                    |        |        |  |                    |        |        |                            |                    |        |        |                           |                    |        |        |   |    |  |  |                |     |  |  |                |    |  |  |                |    |  |  |                |    |  |  |                |    |  |  |                |    |  |  |                |    |  |  |                    |    |  |  |                   |    |  |  |                  |   |     |  |                |    |  |  |                |                   |     |  |                  |    |  |  |   |    |  |  |   |    |  |  |   |    |  |  |    |                |
| PM (13 % O <sub>2</sub> )              | mg/Nm <sup>3</sup>  | $\leq$ | $\leq$ |    |   |      |   |    |  |  |        |   |        |        |                           |                    |        |        |  |                    |        |        |                            |                    |        |        |                           |                    |        |        |   |    |  |  |                |     |  |  |                |    |  |  |                |    |  |  |                |    |  |  |                |    |  |  |                |    |  |  |                |    |  |  |                    |    |  |  |                   |    |  |  |                  |   |     |  |                |    |  |  |                |                   |     |  |                  |    |  |  |   |    |  |  |   |    |  |  |   |    |  |  |    |                |
| p                                      | Pa  |        |        |    |   |      |   |    |  |  |        |   |        |        |                           |                    |        |        |  |                    |        |        |                            |                    |        |        |                           |                    |        |        |   |    |  |  |                |     |  |  |                |    |  |  |                |    |  |  |                |    |  |  |                |    |  |  |                |    |  |  |                |    |  |  |                    |    |  |  |                   |    |  |  |                  |   |     |  |                |    |  |  |                |                   |     |  |                  |    |  |  |   |    |  |  |   |    |  |  |   |    |  |  |    |                |
| p <sub>w</sub>                         | bar   |        |        |    |   |      |   |    |  |  |        |   |        |        |                           |                    |        |        |  |                    |        |        |                            |                    |        |        |                           |                    |        |        |   |    |  |  |                |     |  |  |                |    |  |  |                |    |  |  |                |    |  |  |                |    |  |  |                |    |  |  |                |    |  |  |                    |    |  |  |                   |    |  |  |                  |   |     |  |                |    |  |  |                |                   |     |  |                  |    |  |  |   |    |  |  |   |    |  |  |   |    |  |  |    |                |
| d <sub>r</sub>                         | mm  |        |        |    |   |      |   |    |  |  |        |   |        |        |                           |                    |        |        |  |                    |        |        |                            |                    |        |        |                           |                    |        |        |   |    |  |  |                |     |  |  |                |    |  |  |                |    |  |  |                |    |  |  |                |    |  |  |                |    |  |  |                |    |  |  |                    |    |  |  |                   |    |  |  |                  |   |     |  |                |    |  |  |                |                   |     |  |                  |    |  |  |   |    |  |  |   |    |  |  |   |    |  |  |    |                |
| d <sub>f</sub>                         | mm  |        |        |    |   |      |   |    |  |  |        |   |        |        |                           |                    |        |        |  |                    |        |        |                            |                    |        |        |                           |                    |        |        |   |    |  |  |                |     |  |  |                |    |  |  |                |    |  |  |                |    |  |  |                |    |  |  |                |    |  |  |                |    |  |  |                    |    |  |  |                   |    |  |  |                  |   |     |  |                |    |  |  |                |                   |     |  |                  |    |  |  |   |    |  |  |   |    |  |  |   |    |  |  |    |                |
| d <sub>c</sub>                         | mm  |        |        |    |   |      |   |    |  |  |        |   |        |        |                           |                    |        |        |  |                    |        |        |                            |                    |        |        |                           |                    |        |        |   |    |  |  |                |     |  |  |                |    |  |  |                |    |  |  |                |    |  |  |                |    |  |  |                |    |  |  |                |    |  |  |                    |    |  |  |                   |    |  |  |                  |   |     |  |                |    |  |  |                |                   |     |  |                  |    |  |  |   |    |  |  |   |    |  |  |   |    |  |  |    |                |
| d <sub>B</sub>                         | mm  |        |        |    |   |      |   |    |  |  |        |   |        |        |                           |                    |        |        |  |                    |        |        |                            |                    |        |        |                           |                    |        |        |   |    |  |  |                |     |  |  |                |    |  |  |                |    |  |  |                |    |  |  |                |    |  |  |                |    |  |  |                |    |  |  |                    |    |  |  |                   |    |  |  |                  |   |     |  |                |    |  |  |                |                   |     |  |                  |    |  |  |   |    |  |  |   |    |  |  |   |    |  |  |    |                |
| d <sub>L</sub>                         | mm  |        |        |    |   |      |   |    |  |  |        |   |        |        |                           |                    |        |        |  |                    |        |        |                            |                    |        |        |                           |                    |        |        |   |    |  |  |                |     |  |  |                |    |  |  |                |    |  |  |                |    |  |  |                |    |  |  |                |    |  |  |                |    |  |  |                    |    |  |  |                   |    |  |  |                  |   |     |  |                |    |  |  |                |                   |     |  |                  |    |  |  |   |    |  |  |   |    |  |  |   |    |  |  |    |                |
| d <sub>S</sub>                         | mm  |        |        |    |   |      |   |    |  |  |        |   |        |        |                           |                    |        |        |  |                    |        |        |                            |                    |        |        |                           |                    |        |        |   |    |  |  |                |     |  |  |                |    |  |  |                |    |  |  |                |    |  |  |                |    |  |  |                |    |  |  |                |    |  |  |                    |    |  |  |                   |    |  |  |                  |   |     |  |                |    |  |  |                |                   |     |  |                  |    |  |  |   |    |  |  |   |    |  |  |   |    |  |  |    |                |
| d <sub>S2non</sub>                     | mm  |        |        |    |   |      |   |    |  |  |        |   |        |        |                           |                    |        |        |  |                    |        |        |                            |                    |        |        |                           |                    |        |        |   |    |  |  |                |     |  |  |                |    |  |  |                |    |  |  |                |    |  |  |                |    |  |  |                |    |  |  |                |    |  |  |                    |    |  |  |                   |    |  |  |                  |   |     |  |                |    |  |  |                |                   |     |  |                  |    |  |  |   |    |  |  |   |    |  |  |   |    |  |  |    |                |
| d <sub>Rnon</sub>                      | mm  |        |        |    |   |      |   |    |  |  |        |   |        |        |                           |                    |        |        |  |                    |        |        |                            |                    |        |        |                           |                    |        |        |   |    |  |  |                |     |  |  |                |    |  |  |                |    |  |  |                |    |  |  |                |    |  |  |                |    |  |  |                |    |  |  |                    |    |  |  |                   |    |  |  |                  |   |     |  |                |    |  |  |                |                   |     |  |                  |    |  |  |   |    |  |  |   |    |  |  |   |    |  |  |    |                |
| W <sub>max</sub>                       | W   | NPD    |        |    |   |      |   |    |  |  |        |   |        |        |                           |                    |        |        |  |                    |        |        |                            |                    |        |        |                           |                    |        |        |   |    |  |  |                |     |  |  |                |    |  |  |                |    |  |  |                |    |  |  |                |    |  |  |                |    |  |  |                |    |  |  |                    |    |  |  |                   |    |  |  |                  |   |     |  |                |    |  |  |                |                   |     |  |                  |    |  |  |   |    |  |  |   |    |  |  |   |    |  |  |    |                |
| T <sub>s</sub>                         | °C  |        |        |    |   |      |   |    |  |  |        |   |        |        |                           |                    |        |        |  |                    |        |        |                            |                    |        |        |                           |                    |        |        |   |    |  |  |                |     |  |  |                |    |  |  |                |    |  |  |                |    |  |  |                |    |  |  |                |    |  |  |                |    |  |  |                    |    |  |  |                   |    |  |  |                  |   |     |  |                |    |  |  |                |                   |     |  |                  |    |  |  |   |    |  |  |   |    |  |  |   |    |  |  |    |                |
| V <sub>h</sub>                         | m <sup>3</sup> /h   | NPD    |        |    |   |      |   |    |  |  |        |   |        |        |                           |                    |        |        |  |                    |        |        |                            |                    |        |        |                           |                    |        |        |   |    |  |  |                |     |  |  |                |    |  |  |                |    |  |  |                |    |  |  |                |    |  |  |                |    |  |  |                |    |  |  |                    |    |  |  |                   |    |  |  |                  |   |     |  |                |    |  |  |                |                   |     |  |                  |    |  |  |   |    |  |  |   |    |  |  |   |    |  |  |    |                |
| d <sub>out</sub>                       | mm  |        |        |    |   |      |   |    |  |  |        |   |        |        |                           |                    |        |        |  |                    |        |        |                            |                    |        |        |                           |                    |        |        |   |    |  |  |                |     |  |  |                |    |  |  |                |    |  |  |                |    |  |  |                |    |  |  |                |    |  |  |                |    |  |  |                    |    |  |  |                   |    |  |  |                  |   |     |  |                |    |  |  |                |                   |     |  |                  |    |  |  |   |    |  |  |   |    |  |  |   |    |  |  |    |                |
| H                                      | mm  |        |        |    |   |      |   |    |  |  |        |   |        |        |                           |                    |        |        |  |                    |        |        |                            |                    |        |        |                           |                    |        |        |   |    |  |  |                |     |  |  |                |    |  |  |                |    |  |  |                |    |  |  |                |    |  |  |                |    |  |  |                |    |  |  |                    |    |  |  |                   |    |  |  |                  |   |     |  |                |    |  |  |                |                   |     |  |                  |    |  |  |   |    |  |  |   |    |  |  |   |    |  |  |    |                |
| W                                      | mm  |        |        |    |   |      |   |    |  |  |        |   |        |        |                           |                    |        |        |  |                    |        |        |                            |                    |        |        |                           |                    |        |        |   |    |  |  |                |     |  |  |                |    |  |  |                |    |  |  |                |    |  |  |                |    |  |  |                |    |  |  |                |    |  |  |                    |    |  |  |                   |    |  |  |                  |   |     |  |                |    |  |  |                |                   |     |  |                  |    |  |  |   |    |  |  |   |    |  |  |   |    |  |  |    |                |
| L                                      | mm  |        |        |    |   |      |   |    |  |  |        |   |        |        |                           |                    |        |        |  |                    |        |        |                            |                    |        |        |                           |                    |        |        |   |    |  |  |                |     |  |  |                |    |  |  |                |    |  |  |                |    |  |  |                |    |  |  |                |    |  |  |                |    |  |  |                    |    |  |  |                   |    |  |  |                  |   |     |  |                |    |  |  |                |                   |     |  |                  |    |  |  |   |    |  |  |   |    |  |  |   |    |  |  |    |                |
|  |   |        |        | 11 | When installing and operating the product, follow the installation instructions and general instructions. Not for continuous heating.<br>Bei der Installation und dem Betrieb des Produkts sind die Installations- und die allgemeine Bedienungsanleitung zu beachten. Die Feuerstätte ist nicht für den Dauerbetrieb geeignet.<br>Lors de l'installation et de l'utilisation du produit, suivez les instructions d'installation et le mode d'emploi général. L'appareil n'est pas conçu pour un chauffage continu.<br>Per l'installazione e il funzionamento del prodotto, attenersi alle istruzioni di installazione e alle istruzioni generali. Non per il riscaldamento continuo. |      |   |    |  |  |        |   |        |        |                           |                    |        |        |  |                    |        |        |                            |                    |        |        |                           |                    |        |        |   |    |  |  |                |     |  |  |                |    |  |  |                |    |  |  |                |    |  |  |                |    |  |  |                |    |  |  |                |    |  |  |                    |    |  |  |                   |    |  |  |                  |   |     |  |                |    |  |  |                |                   |     |  |                  |    |  |  |   |    |  |  |   |    |  |  |   |    |  |  |    |                |
|  |   |        |        | 12 | Serial number   Seriennummer<br>Numéro de série   Numero di serie<br><br>NUMBER   |      |   |    |  |  |        |   |        |        |                           |                    |        |        |  |                    |        |        |                            |                    |        |        |                           |                    |        |        |   |    |  |  |                |     |  |  |                |    |  |  |                |    |  |  |                |    |  |  |                |    |  |  |                |    |  |  |                |    |  |  |                    |    |  |  |                   |    |  |  |                  |   |     |  |                |    |  |  |                |                   |     |  |                  |    |  |  |   |    |  |  |   |    |  |  |   |    |  |  |    |                |

1. Herstellername oder eingetragene Marke
2. Firmensitz, Website
3. CE-Kennzeichnung, Jahr der Produktzertifizierung
4. Typ und/oder Modellnummer oder Bezeichnung
5. Produktspezifikation
6. Empfohlene Brennstoffe
7. Produktklassifizierung
8. Gültige Normen
9. Wertetabelle

**nom** – Werte bei Nennwärmeleistung

**part** – Werte bei Teilwärmeleistung

P – Wärmeleistung

P<sub>w</sub> – Wärmetauscherleistung

$\eta$  – Wirkungsgrad

CO – CO-Emissionen bei 13 % O<sub>2</sub>

NO<sub>x</sub> – NO<sub>x</sub> bei 13 % O<sub>2</sub>

OGC – OGC bei 13 % O<sub>2</sub>

PM – Feinstaub bei 13 % O<sub>2</sub>

p – minimaler Schornsteinzug

p<sub>w</sub> – maximale Betriebsdruck

### Sicherheitsabstände von brennbaren Materialien:

d<sub>R</sub> – Rückwand

d<sub>S</sub> – Seitenwände

d<sub>C</sub> – von der Decke

d<sub>P</sub> – Strahlungsbereich

d<sub>F</sub> – Strahlungsbereich zum Boden

d<sub>L</sub> – seitliche Strahlung

d<sub>B</sub> – von dem Boden

### Sicherheitsabstände von nicht brennbaren Materialien:

d<sub>Rnon</sub> – Rückwand

d<sub>Snon</sub> – Seitenwände

d<sub>S2non</sub> – Seite (Nische)

### Produkteigenschaften:

W<sub>max</sub> – maximale elektrische Leistungsaufnahme

T<sub>s</sub> – Rauchgasaustrittstemperatur

V<sub>h</sub> – ständiger Luftverlust

d<sub>out</sub> – Abgasstutzen

H – Höhe

W – Breite

L – Tiefe

NPD (No Performance Determined) – wenn keine Leistung aufgeführt ist oder Parameter angegeben sind. Das Etikett entspricht der EU-Verordnung Nr. 305/2011.

10. Leistungserklärung

11. Instruktionen

12. Strichcode | Seriennummer

Toutes les réglementations locales, y compris celles faisant référence aux normes nationales et européennes, doivent être respectées lors de l'installation du produit. Le montage et l'installation du produit que vous avez choisi ne doivent être effectués que par un revendeur agréé de **Romotop spol. s r.o.**, pour que la garantie soit honorée et que le produit fonctionne correctement. Ce produit ne convient pas comme source de chaleur principale du chauffage.

## Mode d'emploi

Veillez lire attentivement toutes les informations et instructions figurant dans le mode d'emploi.

## Tirage de la cheminée en fonctionnement

Le tirage de fonctionnement est de 12 Pa. Le tirage maximal de fonctionnement est de 20 Pa. Il est mesuré lorsque le produit est en plein fonctionnement. Il est recommandé d'installer un régulateur de tirage, en particulier lorsque l'appareil est équipé d'une unité de régulation automatique de la combustion.

## Combustible autorisé

Le bois coupé en morceaux et sec dont l'humidité résiduelle ne doit pas dépasser 20 %. La consommation moyenne de combustible indiquée doit toujours être respectée – 3,30 kg/h. La longueur recommandée des bûches est d'environ 250-400 mm. Cela dépend de la taille de la chambre de combustion. Utilisez toujours au moins 2 morceaux de bois.

## Fonctionnement du produit

### 1 Durcissement de la peinture

Si votre poêle à bois est équipé d'une grille verrouillable, il faut la laisser ouverte. Le premier chauffage du produit doit se faire avec une quantité limitée de petits morceaux de bois (environ ½ de la quantité moyenne). Il faut laisser la porte entrouverte (espace d'environ 2 cm), afin que le cordon de la porte ne colle pas à la peinture. Ouvrez également l'arrivée d'air au maximum (pst. C). La lenteur du processus de chauffage évitera les fissures dans les briques d'argile réfractaire, les dommages à la peinture et la déformation des matériaux.

Une fois que le combustible a brûlé sur les charbons, vous pouvez procéder au durcissement de la peinture. Chargez le foyer avec la quantité autorisée de combustible (le double de la quantité autorisée), en utilisant des bûches et des morceaux plus petits. Laissez la porte légèrement entrouverte (environ 2 cm). La peinture sous la porte doit être suffisamment durcie. Lorsque ce bois a brûlé, effectuez d'autres chargements, 2 ou 3 au minimum avec une quantité autorisée de combustible, désormais avec la porte refermée et l'arrivée d'air ouverte au maximum (pst. C). Le durcissement de la peinture s'accompagne d'une odeur qui persiste pendant toute la durée du durcissement de la peinture, donc n'effectuez ce processus qu'avec une ventilation suffisante de la pièce.

### 2 Mise en chauffe

Placez le levier d'alimentation en air en position ouverte (pst. C), si la régulation automatique de la combustion n'est pas active. Si le produit comprend

une grille en fonte, ouvrez-la. Pour l'allumage utilisez au max. double de la quantité de combustible moyenne. Placez d'abord les grosses bûches au fond de la chambre, puis superposez des bûches plus fines de bois sec (pst. 2) – allumer le feu par le haut. Utilisez un briquet spécialement conçu à cet effet. Si nécessaire (le feu n'a toujours pas démarré après un certain temps), laissez la porte ouverte pendant un certain temps (environ 2 cm), pour un apport d'air supplémentaire suffisant. Ensuite, avec le chauffage standard, il faut toujours garder la porte fermée. N'ajoutez pas de combustible pendant le feu jusqu'à ce que le bois soit complètement brûlé jusqu'aux braises.

### 3 Chauffage et chargement

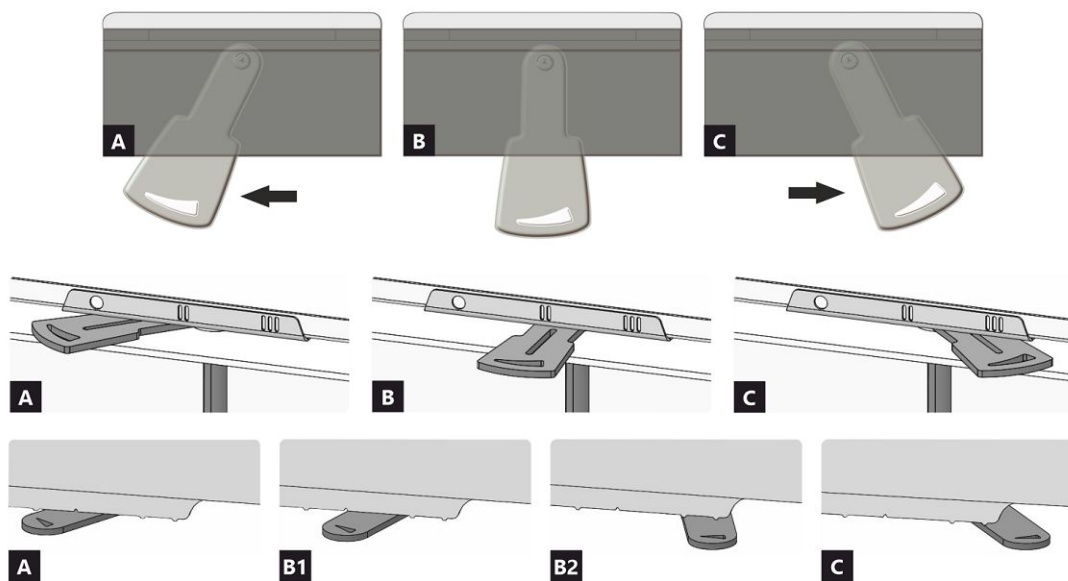
Lors du chargement, ouvrez la porte du poêle d'environ 2 cm et attendez environ 10 secondes pour égaliser la pression dans la pièce. Cela permet d'éviter les fuites éventuelles de cendres et de fumée dans la pièce. N'ajoutez que la quantité de bois qui convient à ce produit, voir la consommation moyenne de combustible (Fig. 4). Fermez la porte du foyer après l'ajout. Il est recommandé de régler le contrôle de l'air sur la position optimale à la puissance nominale (pst. B, B1). N'ajoutez rien tant que le bois n'est pas réduit en braises.

### 4 Fin du chauffage

Une fois que le bois est consommé, mettez la Commande d'air en air en position fermée. Vous éviterez ainsi toute fuite indésirable de la chaleur accumulée dans la cheminée/à l'extérieur (pst. A).



- 1** préparation du combustible pour l'allumage
- 2** empilage du bois dans le foyer
- 3** allumage du bois par le haut
- 4** chargement



- A** fermée  
**B** ouverte – chauffage à la puissance nominale (fonctionnement optimal)  
**C** ouverte – position lors du premier allumage du feu (mise en service du produit)

- A** fermée  
**B1** ouverte – chauffage à la puissance nominale (fonctionnement optimal)  
**B2** ouverte – air primaire fermé  
**C** ouverte – position lors du premier allumage du feu (mise en service du produit)

## Caractéristiques déclarées du produit

Norme(s) Européennes ✓ EN 16510-1 ed.2:2023 | EN 16510-2-2:2022 ✓ Ecodesign ✓ DIN+ ✓ BImSchV2 ✓ 15a B-VG 2015

| Classification de l'appareil   | Type BE                            |                                    |                                      |                         |
|--|------------------------------------|------------------------------------|--------------------------------------|-------------------------|
|  |                                    | Puissance thermique nominale (nom) | Puissance thermique partielle (part) |                         |
| Efficacité énergétique   | $\eta_{nom}   \eta_{part}$         | 80                                 | ---                                  | %                       |
| Efficacité énergétique saisonnier à la puissance thermique nominale de l'appareil        | $\eta_{snom}   \eta_{spart}$       | 70                                 | ---                                  | %                       |
| Indice d'efficacité énergétique EEI  | EEI                                | 106                                |                                      |                         |
| Label énergétique  |                                    | A                                  |                                      |                         |
| Combustible  |                                    | Bûches                             |                                      |                         |
| Longueur recommandée de bûches   |                                    | 250-400                            |                                      | mm                      |
| Consommation moyenne de combustible  |                                    | 3,30                               | ---                                  | kg/h                    |
| Charge en bois autorisé  |                                    | 4,3                                |                                      | kg/h                    |
| Intervalle entre les chargements de combustible  |                                    | 1 heure                            |                                      |                         |
| Couche de base du combustible  |                                    | 0,33                               | ---                                  | kg                      |
| Critère de fin du cycle d'essai  |                                    | 4,0                                | ---                                  | Vol.-%                  |
| Débit massique des fumées  |                                    | 41,8                               |                                      | m <sup>3</sup> /h       |
| Puissance thermique nominale   | $P_{nom}   P_{part}$               | 11,0                               | ---                                  | kW                      |
| Puissance thermique nominale de l'échangeur  | $P_{Wnom}   P_{Wpart}$             | ---                                | ---                                  | kW                      |
| Pression d'eau maximale  | $P_W$                              | ---                                |                                      | bar                     |
| Débit massique des gaz de combustion secs  | $\Phi_{f,g nom}   \Phi_{f,g part}$ | 8,7                                | ---                                  | g/s                     |
| Température de sortie des gaz de combustion  | $T_{snom}   T_{spart}$             | 343                                | ---                                  | °C                      |
| Tirage de conduit de fumée   | $P_{nom}   P_{part}$               | 12                                 | ---                                  | Pa                      |
| Classe de température  |                                    | T400                               |                                      |                         |
| Raccordement à une cheminée collective   |                                    | Oui                                |                                      |                         |
| Stockage du combustible dans range bûches  |                                    | Non                                |                                      |                         |
| Réchauffement maximal du bois dans range bûches  |                                    | ---                                |                                      | °C                      |
| Poussière O <sub>2</sub> = 13 %  | $PM_{nom}   PM_{part}$             | 22                                 | ---                                  | mg/Nm <sup>3</sup>      |
| CO <sub>2</sub>  |                                    | 10,81                              | ---                                  | %                       |
| Résidu de combustion émis (CO dans les résidus de combustion pour O <sub>2</sub> = 13 %) | $CO_{nom}   CO_{part}$             | 0,0547<br>684                      | ---                                  | %<br>mg/Nm <sup>3</sup> |
| OGC O <sub>2</sub> = 13 %  | $OGC_{nom}   OGC_{part}$           | 48                                 | ---                                  | mg/Nm <sup>3</sup>      |
| NOx O <sub>2</sub> = 13 %  | $NO_{xnom}   NO_{xpart}$           | 101                                | ---                                  | mg/Nm <sup>3</sup>      |
| Régulation automatique de la combustion  |                                    | ---                                | ---                                  |                         |
| Consommation d'énergie en mode veille  | $e_{lSB}$                          | ---                                |                                      | kW                      |
| Consommation d'électricité   | $e_{lmax}   e_{lmin}$              | ---                                | ---                                  | kW                      |
| Fonctionnement par intermittence   Service ininterrompu                                  | INT   CON                          | INT                                |                                      |                         |

## Données techniques de base

|   |           |                  |    |
|---|-----------|------------------|----|
| Dimensions principales (Hauteur   Largeur   Profondeur)                 | H   W   L | 1024   779   533 | mm |
| Dimensions de la chambre de combustion (Hauteur   Largeur   Profondeur) | H   W   L | 385   608   328  | mm |
| Dimensions de la porte (Hauteur   Largeur   Profondeur)                 | H   W   L | 467   664   ---  | mm |
| Hauteur de l'axe de la sortie arrière (latérale)                        |           | ---              | mm |
| Volume de l'échangeur de chaleur  |           | ---              | l  |
| Diamètre du conduit de fumée  |           | 150              | mm |
| Diamètre de buse d'air de combustion                                    | $d_{out}$ | 150              | mm |
| Diamètre de l'arrivée d'air centrale                                    |           | 150              | mm |
| Longueur maximale (tuyau) d'arrivée d'air centrale                      |           | 6000             | mm |
| Poids   | m         | 167              | kg |

**Capacité thermique (Pouvoir calorifique)**

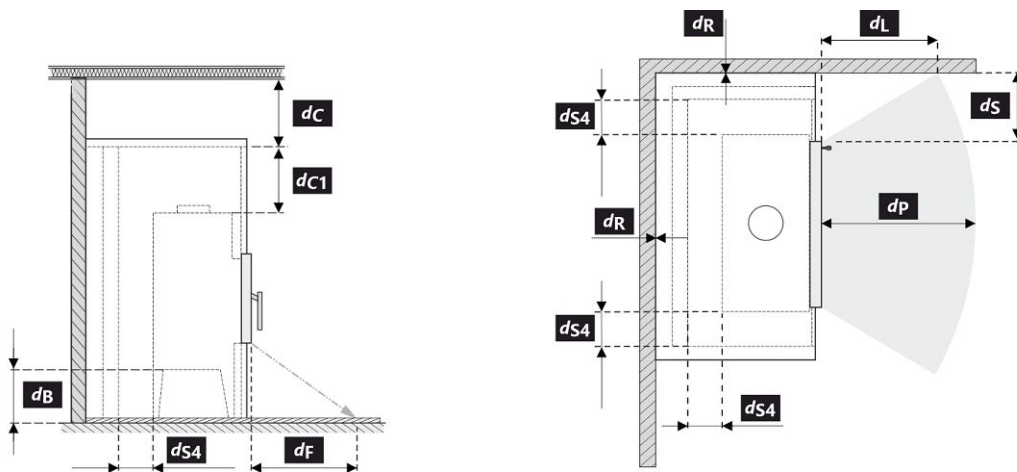
taille minimale de la pièce où est installé l'appareil

|  |   |     |  |                |
|--|---|-----|--|----------------|
| Isolation de la maison – très bon (20 W/m <sup>3</sup> )     | par exemple, maison neuve et isolée / habitée en permanence | 320 |  | m <sup>3</sup> |
| Isolation de la maison – bon (22,5 W/m <sup>3</sup> )        |   | 284 |  | m <sup>3</sup> |
| Isolation de la maison – moyen (32 W/m <sup>3</sup> )        |   | 200 |  | m <sup>3</sup> |
| Isolation de la maison – mauvais (45 W/m <sup>3</sup> )      |   | 142 |  | m <sup>3</sup> |
| Isolation de la maison – très mauvais (50 W/m <sup>3</sup> ) | par exemple une vieille maison / chalet / chalet non isolé  | 128 |  | m <sup>3</sup> |

**Distance par rapport aux matériaux combustibles**

Note

|   |                  |   |      |     |    |
|---|------------------|---|------|-----|----|
| Arrière   | $d_R$            |   | 0    |     | mm |
| Avant   | $d_P$   $d_{P1}$ |   | 1400 | --- | mm |
| Avant (par rapport au sol)  | $d_F$   $d_{F1}$ |   | 480  | --- | mm |
| Latéral   | $d_S$   $d_{S1}$ | * | 420  | --- | mm |
| Latéral – niche   | $d_{S2}$         |   | ---  |     | mm |
| Latéral – emplacement 45°   | $d_{S3}$         |   | ---  |     | mm |
| Rayonnement latéral   | $d_L$   $d_{L1}$ |   | 430  | --- | mm |
| Depuis le sol   | $d_B$            |   | 100  |     | mm |
| Plafond   | $d_C$            |   | 500  |     | mm |
| Du bord arrière et latéral de l'insert de cheminée jusqu'à l'intérieur de l'isolation | $d_{S4}$         | * | 120  |     | mm |



Lors de l'installation et de l'utilisation du produit, toutes les réglementations locales doivent être respectées, y compris celles relatives aux normes nationales et européennes.

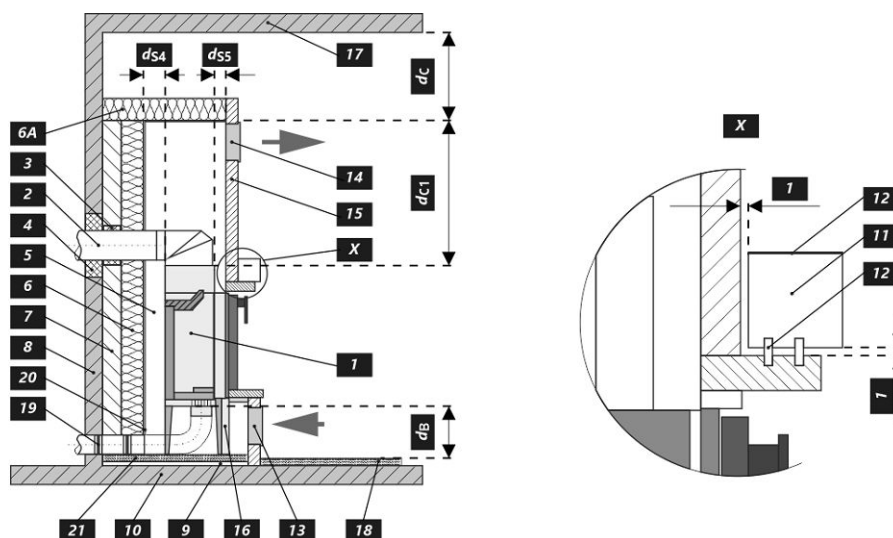
- \* Si la distance entre la vitre de la porte et la paroi latérale combustible est  $d_S < 420$  mm et ne doit pas être  $d_{S4} < 120$  mm, cette paroi doit être protégée par un panneau isolant SILCA 250 (SILCA® 250SB, épaisseur 40 mm) ou par un substitut approprié.

| Légende | Note | Description   | Matériel            | Dimension |
|---------|------|---|---------------------|-----------|
| 1       |      | Appareil ménager                                    | 179H 0000 005       |           |
| 2       |      | Extraction des résidus de combustion                | métal               | DN150     |
| 3       |      | Isolation du raccordement des résidus de combustion |                     |           |
| 4       |      | Isolation minérale                                  |                     |           |
| 5       |      | Espace de convection autour de l'appareil           |                     |           |
| 6       |      | Isolation protectrice des murs                      | SILCA 250           | 2x50 mm   |
| 6A      |      | Isolation protectrice des plafonds                  | SILCA 250           | 80 mm     |
| 7       |      | Mur de protection                                   | brique creuse cuite | 100 mm    |
| 8       |      | Mur inflammable                                     |                     |           |

|                       |   |   |                      |
|-----------------------|---|---|----------------------|
| 9                     | Plaque de béton   |   |                      |
| 10                    | Sol inflammable   |   |                      |
| 11                    | Support décoratif / ornemental  |   |                      |
| 12                    | Support avec espace de ventilation  |   |                      |
| 13                    | Entrée d'air de convection  |   | 800 cm <sup>2</sup>  |
| 14                    | Sortie d'air de convection  |   | 1000 cm <sup>2</sup> |
| 15                    | Habillage   | SILCA 250   | 40 mm                |
| 16                    | Cadre de support  |   |                      |
| 17                    | Plafond inflammable   |   |                      |
| 18                    | Panneau isolant de protection pour sols combustibles  | SILCA 250   | 40 mm                |
| 19                    | Régulation de l'air de combustion   |   |                      |
| 20                    | Couverture en tôle si de la laine minérale est utilisée   |   |                      |
| 21                    | Si nécessaire, une plaque de sol de protection située sous l'appareil   |   |                      |
| <b>d<sub>c</sub></b>  | Du haut du conduit d'évacuation au plafond combustible  |   | 500 mm               |
| <b>d<sub>c1</sub></b> | – Du haut de l'insert de cheminée jusqu'au bas de l'isolation du plafond<br>– Dans le cas d'un échangeur de chaleur installé – du bord supérieur de l'échangeur de chaleur à la partie inférieure de l'isolation du plafond |   | 300 mm<br>--- mm     |
| <b>d<sub>s4</sub></b> | *   | Du bord arrière et latéral de l'insert de cheminée jusqu'à l'intérieur de l'isolation | 120 mm               |
| <b>d<sub>s5</sub></b> |   | Du bord avant de l'insert de cheminée à l'intérieur de l'isolation                    | 10 mm                |
| <b>d<sub>B</sub></b>  |   | Du bas de l'insert de cheminée jusqu'au sol incombustible                             | 100 mm               |

**Avertissement:** Panneaux ignifuges / isolants SILCA® 250SB peut être remplacé par un matériau non combustible approprié avec une conductivité thermique ( $\lambda$ )  $\leq 1,1 \text{ W}\cdot\text{m}^{-1}\cdot\text{K}^{-1}$ .

Mur de protection – brique creuse cuite (épaisseur 100 mm) peut être remplacée par un matériau non combustible adéquat présentant une conductivité thermique ( $\lambda$ )  $\leq 0,36 \text{ W}\cdot\text{m}^{-1}\cdot\text{K}^{-1}$ .



### Avertissement



Si les produits sont installés dans des zones où l'air est aspiré par des ventilateurs, des hottes, des équipements de chauffage ou de ventilation, il faut assurer une arrivée d'air central (AAC). Avant d'un nouveau chargement, éteignez tous les appareils de ventilation de votre maison.

Le produit doit être installé sur des sols présentant une capacité de charge adéquate.

Un accès adéquat pour le nettoyage et l'entretien de votre produit, du conduit de fumée et de la cheminée doit être prévu lors de l'installation, à moins que le produit puisse être nettoyé depuis un autre endroit tel que le toit ou une porte dédiée.

Le produit et ses conduits de fumée doivent être régulièrement et soigneusement révisés et nettoyés avant et après la saison de chauffage.



Veuillez lire attentivement les instructions générales.

## La plaque signalétique du produit

1. LOGO

2. Company  
WEB

3. CE24

4. TYPE  
THE MODEL NUMBER

5. Residential solid fuel burning appliance – with water heating.  
Häusliche Feuerstätte für feste Brennstoffe – mit Warmwasserbereitung.  
Appareil à combustibles solides dans les bâtiments résidentiels – avec chauffage de l'eau.  
Apparecchio a combustibili solidi in edifici residenziali – con riscaldamento dell'acqua.

6. Use only these recommended fuels. | Verwenden Sie nur diese empfohlenen Brennstoffe.  
N'utilisez que ces combustibles recommandés. | Usare solo questi combustibili raccomandati.  
Wood logs | Scheitholz | Büches | Legna

7. Type of appliance | Klassifizierung des Geräts  
Classification de l'appareil | Classificazione dell'apparecchio Typ B

8. Standards | Normen  
Normes | Norme ČSN EN 16510-1 ed. 2:2023 | Ecodesign | BImSchV2 | DIN+ | 15a B-VG 2015

9. Table with columns: P, P<sub>w</sub>, η, CO (13 % O<sub>2</sub>), NO<sub>x</sub> (13 % O<sub>2</sub>), OGC (13 % O<sub>2</sub>), PM (13 % O<sub>2</sub>), p, p<sub>w</sub>, d<sub>a</sub>, d<sub>c</sub>, d<sub>e</sub>, d<sub>f</sub>, d<sub>l</sub>, d<sub>s</sub>, d<sub>s2non</sub>, W<sub>max</sub>, T<sub>s</sub>, V<sub>h</sub>, d<sub>out</sub>, H, W, L. Rows include units (kW, %, mg/Nm<sup>3</sup>, Pa, bar, mm, W, °C, m<sup>3</sup>/h) and performance categories (nom, part, NPDP).

10. DOP/CPR doc

11. When installing and operating the product, follow the installation instructions and general instructions. Not for continuous heating.  
Bei der Installation und dem Betrieb des Produkts sind die Installations- und die allgemeine Bedienungsanleitung zu beachten. Die Feuerstätte ist nicht für den Dauerbetrieb geeignet.  
Lors de l'installation et de l'utilisation du produit, suivez les instructions d'installation et le mode d'emploi général. L'appareil n'est pas conçu pour un chauffage continu.  
Per l'installazione e il funzionamento del prodotto, attenersi alle istruzioni di installazione e alle istruzioni generali. Non per il riscaldamento continuo.

12. Serial number | Seriennummer  
Numéro de série | Numero di serie

NUMBER

1. Le nom du fabricant ou la marque déposée
2. Siège social, site web
3. Marque de conformité CE, les chiffres indiquent l'année de délivrance du certificat
4. Type, numéro ou désignation du modèle permettant d'identifier le produit
5. Caractéristiques du produit
6. Combustibles recommandés
7. Classification de l'appareil
8. Normes en vigueur
9. Tableau des valeurs

**nom** – valeurs à la puissance thermique nominale

**part** – valeurs à la puissance thermique partielle

P – puissance thermique

P<sub>w</sub> – puissance thermique de l'échangeur

η – rendement énergétique

CO – émissions de CO à 13 % d'O<sub>2</sub>

NO<sub>x</sub> – NO<sub>x</sub> à 13 % d'O<sub>2</sub>

OGC – OGC à 13 % d'O<sub>2</sub>

PM – dust à 13 % d'O<sub>2</sub>

p – tirage minimum de conduit de fumée

p<sub>w</sub> – pression maximale de fonctionnement

**Distance aux matériaux combustibles:**

d<sub>R</sub> – arrière

d<sub>S</sub> – latéral

d<sub>C</sub> – plafond

d<sub>P</sub> – avant

d<sub>F</sub> – avant (par rapport au sol)

d<sub>L</sub> – rayonnement latéal

d<sub>B</sub> – depuis le sol

**Distance aux matériaux non combustibles:**

d<sub>Rnon</sub> – arrière

d<sub>Snon</sub> – latéral

d<sub>S2non</sub> – latéral (niche)

**Déclarées du produit:**

W<sub>max</sub> – puissance électrique maximale

T<sub>s</sub> – température de sortie des gaz de combustion

V<sub>h</sub> – standig air loss

d<sub>out</sub> – diamètre de buse d'air de combustion

H – hauteur

W – largeur

L – profondeur

NPD (No Performance Determined) – une abréviation internationale qui peut être utilisée lorsqu'aucune propriété ou paramètre n'est spécifié. L'étiquette est conforme au règlement de l'UE n° 305/2011.

10. Document de déclaration de performance

11. Instructions

12. Code barre | Numéro de série

In fase di montaggio del prodotto, è necessario rispettare tutte le prescrizioni in vigore, comprese le disposizioni inerenti alle norme nazionali ed europee. Le operazioni di montaggio e installazione del prodotto possono essere eseguite solo da un rivenditore autorizzato **Romotop spol. s r.o.**, ai fini della validità della garanzia e del corretto funzionamento del prodotto. Il presente prodotto non è idoneo come fonte principale di calore per impianti di riscaldamento.

## Istruzioni per l'uso

Si prega di prendere in considerazione le informazioni e le istruzioni riportate nel manuale d'uso.

## Tiraggio d'esercizio della canna fumaria

Tiraggio d'esercizio 12 Pa. Tiraggio d'esercizio massimo 20 Pa. Il tiraggio va misurato con il prodotto in funzione a pieno regime. Consigliamo di installare un regolatore del tiraggio. Si tratta di un accorgimento particolarmente indispensabile in caso di installazione di gestione automatica della combustione.

## Combustibile approvato

Pezzi di legna secca con umidità residua massima del 20 %. È sempre necessario rispettare il consumo medio di combustibile – 3,30 kg/h. La lunghezza raccomandata è di circa 250-400 mm. Dipende dalle dimensioni della camera di combustione. Usare sempre almeno 2 pezzi di legna.

## Utilizzo del prodotto

### 1 Bruciatura della vernice del prodotto

Se la stufa a legna è dotata di una griglia con serratura, questa deve rimanere aperta. Effettuare la prima accensione del fuoco con una quantità piuttosto esigua di legna (circa ½ della dose media). Lasciare lo sportello socchiuso (circa 2 cm) per evitare che la cordicella dello sportello si attacchi alla vernice. Quindi, aprire al massimo l'afflusso dell'aria (pos. C). Seguendo i consigli sopra riportati, in fase di accensione si evitano danni e deformazioni dei materiali.

Una volta che la legna diventa brace, si può passare alla fase successiva di combustione. Caricare il focolare con la quantità di combustibile dose ammessa. Lasciare lo sportello leggermente aperto (circa 2 cm). È necessario che la vernice sotto lo sportello si indurisca sufficientemente. Una volta esaurito questo lotto, effettuare almeno altre 2-3 ricariche con la quantità di combustibile dose ammessa, ma adesso già con lo sportello chiuso e con l'afflusso dell'aria aperto al massimo (pos. C). Durante la combustione della vernice, sentirete per tutto il tempo del cattivo odore. Questa operazione va pertanto eseguita solo se è assicurata una sufficiente aerazione del locale.

### 2 Avvio della combustione

Impostare il dispositivo di comando dell'afflusso dell'aria in posizione aperta (pos. C), a meno che non vi sia la gestione automatica della combustione. Aprire la griglia in ghisa, se presente. Per l'accensione del fuoco, utilizzare al max. il doppio della quantità consumo medio di combustibile. Sul fondo del

focolare, collocare innanzitutto tronchetti di grandi dimensioni e poi, sopra di essi, pezzi di legna secca più piccoli (Fig. 2) – incendiare la legna dall'alto. Per accendere il fuoco, si prega di utilizzare un accendifuoco adeguato. Se necessario (per esempio se non si riesce ad accendere il fuoco come si deve), lasciare lo sportello aperto per un po' di tempo (circa 2 cm), in modo da fare entrare aria a sufficienza all'interno. Successivamente, durante il normale utilizzo, lasciare lo sportello chiuso. Durante la fase di accensione, non aggiungere combustibile finché la fiamma non si estingue.

### 3 Riscaldamento e aggiunta del combustibile

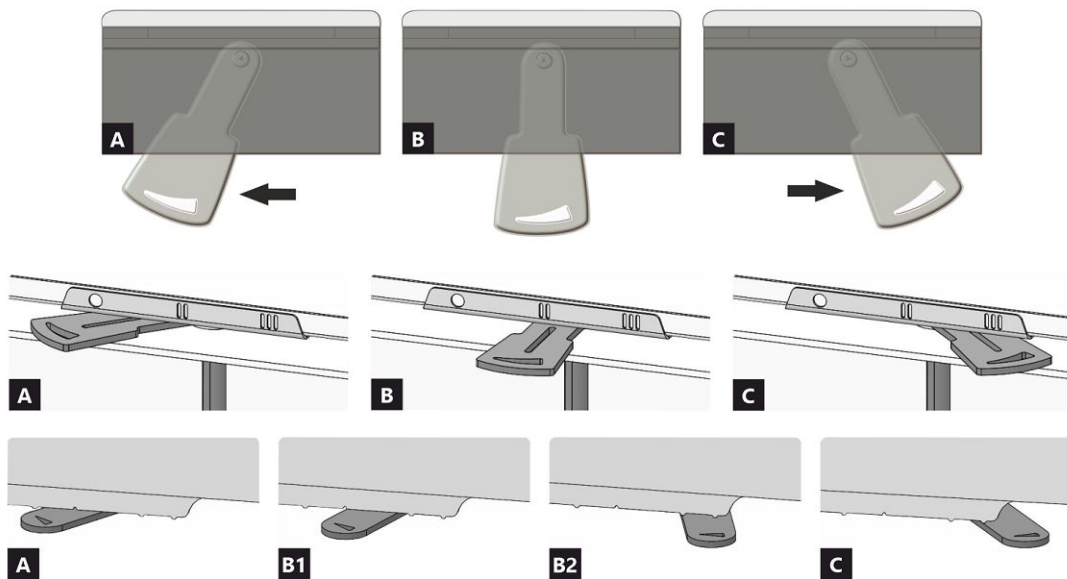
Quando si aggiunge la legna, lasciare lo sportello del focolare aperto di circa 2 cm e attendere circa 10 s finché la pressione nell'apparecchio non si bilancia. In questo modo, si eviteranno inutili fuoriuscite di cenere e fumo nella stanza. Inserire sempre e solo la quantità di legna adatta per il prodotto in questione – vedi consumo medio di combustibile (Fig. 4). Dopo aver aggiunto il combustibile, chiudere di nuovo lo sportello. Consigliamo di impostare il dispositivo di regolazione dell'aria nella posizione ottimale, con potenza termica nominale (pos. B, B1). Non aggiungere legna finché quella già presente non diventa brace.

### 4 Fine del riscaldamento

Quando il combustibile nel focolare non arde più, chiudere il dispositivo di controllo dell'aria. Chiudendo il dispositivo di controllo dell'aria, si evita la fuoriuscita indesiderata di calore non accumulato verso la canna fumaria (pos. A).



- 1 preparazione del combustibile per l'accensione iniziale
- 2 inserimento iniziale della legna nel focolare
- 3 incendiare il legna dall'alto
- 4 aggiunta della legna



- A** chiuso  
**B** aperto – riscaldamento a potenza nominale (funzionamento ottimale)  
**C** aperto – posizione durante il riscaldamento (avvio dell'unità)

- A** chiuso  
**B1** aperto – riscaldamento a potenza nominale (funzionamento ottimale)  
**B2** aperto – aria primaria chiusa  
**C** aperto – posizione durante il riscaldamento (avvio dell'unità)

## Proprietà dichiarate del prodotto

Specificazioni tecniche armonizzate ✓ EN 16510-1 ed.2:2023 | EN 16510-2-2:2022 ✓ Ecodesign ✓ DIN+ ✓ BImSchV2 ✓ 15a B-VG 2015

| Classificazione del prodotto                                  |                                      | Type BE                        |                                 |                         |
|---|--------------------------------------|--------------------------------|---------------------------------|-------------------------|
|   |                                      | Potenza termica nominale (nom) | Potenza termica parziale (part) |                         |
| Efficienza energetica   | $\eta_{nom}$   $\eta_{part}$         | 80                             | ---                             | %                       |
| Efficienza energetica stagionale del riscaldamento d'ambiente | $\eta_{snom}$   $\eta_{spart}$       | 70                             | ---                             | %                       |
| Indice di efficienza prodotto                                 | EEI                                  | 106                            |                                 |                         |
| Etichetta energetica  |                                      | A                              |                                 |                         |
| Combustibile  |                                      | Legna                          |                                 |                         |
| Combustibile – lunghezza                                      |                                      | 250-400                        |                                 | mm                      |
| Consumo medio di combustibile                                 |                                      | 3,30                           | ---                             | kg/h                    |
| Dose ammessa di combustibile                                  |                                      | 4,3                            |                                 | kg/h                    |
| Intervallo di aggiunta di combustibile                        |                                      | 1 ora                          |                                 |                         |
| Strato di base del combustibile                               |                                      | 0,33                           | ---                             | kg                      |
| Criterio per la fine del ciclo di test                        |                                      | 4,0                            | ---                             | Vol.-%                  |
| Quantità di aria di combustione                               |                                      | 41,8                           |                                 | m <sup>3</sup> /h       |
| Potenza termica nominale                                      | $P_{nom}$   $P_{part}$               | 11,0                           | ---                             | kW                      |
| Potenza ter. nom. dello scambiatore di acqua calda            | $P_{Wnom}$   $P_{Wpart}$             | ---                            | ---                             | kW                      |
| Ppressione massima di funzionamento dell'acqua                | $P_W$                                | ---                            |                                 | bar                     |
| Portata dei fumi di scarico secchi                            | $\Phi_{f,g nom}$   $\Phi_{f,g part}$ | 8,7                            | ---                             | g/s                     |
| Temperatura d'uscita dei gas di scarico                       | $T_{snom}$   $T_{spart}$             | 343                            | ---                             | °C                      |
| Tiro di esercizio   | $P_{nom}$   $P_{part}$               | 12                             | ---                             | Pa                      |
| Classe di temperatura del camino                              |                                      | T400                           |                                 |                         |
| Collegamento al camino collettivo                             |                                      | Sì                             |                                 |                         |
| Stoccaggio del combustibile nell'area della stufa a legna     |                                      | No                             |                                 |                         |
| Riscaldamento massimo della legna nella stufa a legna         |                                      | ---                            |                                 | °C                      |
| Polvere O <sub>2</sub> = 13 %                                 | $PM_{nom}$   $PM_{part}$             | 22                             | ---                             | mg/Nm <sup>3</sup>      |
| CO <sub>2</sub>   |                                      | 10,81                          | ---                             | %                       |
| Emissioni (CO nei gas comburenti all' O <sub>2</sub> = 13 %)  | $CO_{nom}$   $CO_{part}$             | 0,0547<br>684                  | ---                             | %<br>mg/Nm <sup>3</sup> |
| OGC O <sub>2</sub> = 13 %                                     | $OGC_{nom}$   $OGC_{part}$           | 48                             | ---                             | mg/Nm <sup>3</sup>      |
| NOx O <sub>2</sub> = 13 %                                     | $NO_{xnom}$   $NO_{xpart}$           | 101                            | ---                             | mg/Nm <sup>3</sup>      |
| Controllo automatico della combustione                        |                                      | ---                            | ---                             |                         |
| Consumo di energia elettrica in modo stand-by                 | $e_{lSB}$                            | ---                            |                                 | kW                      |
| Consumo di energia elettrica                                  | $e_{lmax}$   $e_{lmin}$              | ---                            | ---                             | kW                      |
| Funzionamento intermittente   Funzionamento continuo          | INT   CON                            | INT                            |                                 |                         |

## Dati tecnici di base

|   |           |                  |    |
|---|-----------|------------------|----|
| Dimensioni principali (Altezza   Larghezza   Profondità)                  | H   W   L | 1024   779   533 | mm |
| Dimensioni della camera di combustione (Altezza   Larghezza   Profondità) | H   W   L | 385   608   328  | mm |
| Dimensioni dello sportello del focolare (Alt.   Larg.   Prof.)            | H   W   L | 467   664   ---  | mm |
| Altezza dell'asse dell'uscita posteriore (laterale)                       |           | ---              | mm |
| Volume dello scambiatore di acqua calda                                   |           | ---              | l  |
| Diametro del condotto fumario   |           | 150              | mm |
| Diametro del gola della canna fumaria                                     | $d_{out}$ | 150              | mm |
| Diametro dell'afflusso centralizzato di aria                              |           | 150              | mm |
| Lunghezza mass. (tubo) di alimentazione centrale dell'aria                |           | 6000             | mm |
| Peso  | m         | 167              | kg |

**Capacità termica (Potere calorifico)**

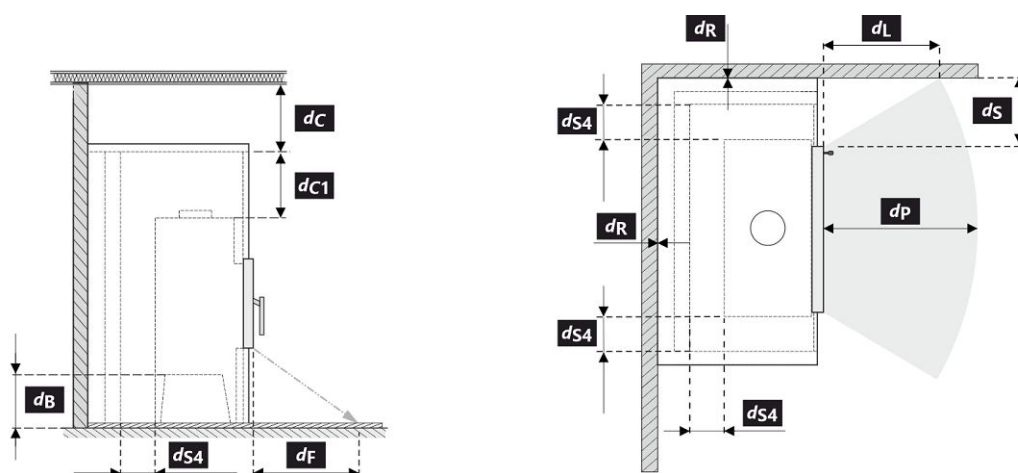
dimensione minima del locale in cui è installato l'apparecchio

|  |  |     |  |                |
|--|--|-----|--|----------------|
| Isolamento della casa – molto buono (20 W/m <sup>3</sup> ) | ad esempio, casa nuova e isolata / abitata in modo permanente      | 320 |  | m <sup>3</sup> |
| Isolamento della casa – buono (22,5 W/m <sup>3</sup> )     |  | 284 |  | m <sup>3</sup> |
| Isolamento della casa – medio (32 W/m <sup>3</sup> )       |  | 200 |  | m <sup>3</sup> |
| Isolamento della casa – cattivo (45 W/m <sup>3</sup> )     |  | 142 |  | m <sup>3</sup> |
| Isolamento della casa – molto male (50 W/m <sup>3</sup> )  | ad esempio, una vecchia casa / un cottage / uno chalet non isolato | 128 |  | m <sup>3</sup> |

**Distanza di materiali infiammabili**

Nota

|   |                  |   |      |     |    |
|---|------------------|---|------|-----|----|
| Posteriore  | $d_R$            |   | 0    |     | mm |
| Anteriore   | $d_P$   $d_{P1}$ |   | 1400 | --- | mm |
| Anteriore (rispetto al pavimento)   | $d_F$   $d_{F1}$ |   | 480  | --- | mm |
| Laterali  | $d_S$   $d_{S1}$ | * | 420  | --- | mm |
| Laterali – nicchia  | $d_{S2}$         |   | ---  |     | mm |
| Laterali – posizione 45°  | $d_{S3}$         |   | ---  |     | mm |
| Radiazione laterale   | $d_L$   $d_{L1}$ |   | 430  | --- | mm |
| Dal pavimento   | $d_B$            |   | 100  |     | mm |
| Dal soffitto  | $d_C$            |   | 500  |     | mm |
| Dal bordo posteriore e laterale dell'inserto del caminetto fino all'interno dell'isolazione | $d_{S4}$         | * | 120  |     | mm |



Durante il montaggio e l'uso del prodotto, devono essere rispettate tutte le normative locali, incluse le norme nazionali ed europee.

- \* Se la distanza dal vetro della porta alla parete laterale combustibile è  $d_S < 420$  mm e non deve essere  $d_{S4} < 120$  mm, questa parete deve essere protetta da un pannello isolante SILCA 250 (SILCA® 250SB, spessore 40 mm) o da un sostituto adeguato.

| Legenda | Nota | Descrizione                                     | Materiale             | Dimensione |
|---------|------|---|-----------------------|------------|
| 1       |      | Apparecchio                                     | 179H 0000 005         |            |
| 2       |      | Scarico fumi                                    | metallo               | DN150      |
| 3       |      | Isolamento del raccordo scarico fumi            |                       |            |
| 4       |      | Isolamento minerale                             |                       |            |
| 5       |      | Spazio d'aria di convezione intorno all'inserto |                       |            |
| 6       |      | Isolazione della parete                         | SILCA 250             | 2x50 mm    |
| 6A      |      | Isolazione del soffitto                         | SILCA 250             | 80 mm      |
| 7       |      | Parete di protezione                            | refrattario trafialto | 100 mm     |
| 8       |      | Parete incombustibile                           |                       |            |

|                 |   |  |                      |
|-----------------|---|--|----------------------|
| 9               | Lastra di calcestruzzo  |  |                      |
| 10              | Pavimento in infiammabile   |  |                      |
| 11              | Trave decorativa  |  |                      |
| 12              | Trave con intercapedine di ventilazione   |  |                      |
| 13              | Ingresso aria di convezione   |  | 800 cm <sup>2</sup>  |
| 14              | Uscita aria di convezione   |  | 1000 cm <sup>2</sup> |
| 15              | Rivestimento  | SILCA 250  | 40 mm                |
| 16              | Telaio di supporto  |  |                      |
| 17              | Soffitto infiammabile   |  |                      |
| 18              | Pannello isolante protettivo per pavimenti in infiammabili  | SILCA 250  | 40 mm                |
| 19              | Gestione dell'aria comburente   |  |                      |
| 20              | Copertura in lamiera con utilizzo di lana di roccia   |  |                      |
| 21              | Se necessario, piastra di protezione sotto l'apparecchio  |  |                      |
| d <sub>c</sub>  | Dall'alto della bocchetta aria superiore al soffitto combustibile   |  | 500 mm               |
| d <sub>c1</sub> | - Dalla parte superiore dell'insero caminetto alla parte inferiore dell'isolazione del soffitto<br>- In caso di utilizzo scambiatore di calore, dal bordo superiore dello scambiatore alla parte inferiore dell'isolamento del soffitto |  | 300 mm<br>--- mm     |
| d <sub>s4</sub> | *   | Dal bordo posteriore e laterale dell'insero del caminetto fino all'interno dell'isolazione | 120 mm               |
| d <sub>s5</sub> |   | Dal bordo anteriore dell'insero caminetto fino all'interno dell'isolazione                 | 10 mm                |
| d <sub>B</sub>  |   | Dal fondo dell'insero caminetto al pavimento ignifugo                                      | 100 mm               |

**Avviso:** I pannelli di protezione antincendio / isolamento SILCA® 250SB possono essere sostituiti da un materiale non infiammabile adatto con una conduttività termica ( $\lambda$ )  $\leq 1,1 \text{ W}\cdot\text{m}^{-1}\cdot\text{K}^{-1}$ .

Parete di protezione – refrattario trafialto (spessore 100 mm) possono essere sostituiti da un materiale non infiammabile adatto con una conduttività termica ( $\lambda$ )  $\leq 0,36 \text{ W}\cdot\text{m}^{-1}\cdot\text{K}^{-1}$ .



### Avvertimento



Se i prodotti sono installati in aree in cui l'aria viene estratta da ventilatori, cappe, apparecchiature di ventilazione, riscaldamento o ventilazione, è necessario prevedere un'alimentazione d'aria sufficiente (alimentazione centrale dell'aria). Spegner tutti i dispositivi di ventilazione presenti in casa prima di pianificare una nuova costruzione.

Il prodotto deve essere installato su pavimenti con una capacità di carico adeguata.


Durante l'installazione è necessario garantire un accesso adeguato per la pulizia e la manutenzione del prodotto, della canna fumaria e del camino, a meno che il prodotto non possa essere pulito da un'altra posizione, come il tetto o una porta dedicata.

Il prodotto e i suoi percorso dei gas di scarico devono essere regolarmente e accuratamente controllati e puliti prima e dopo la stagione di riscaldamento.



Leggere attentamente le istruzioni generali.

## Targhetta di produzione

| 1                                      | LOGO   | 3      | CE24   | 4 | TYPE<br>THE MODEL NUMBER |      |   |    |  |  |        |   |        |        |                           |                    |        |        |  |                    |        |        |                            |                    |        |        |                           |                    |        |        |   |    |  |  |                |     |  |  |                |    |  |  |                |    |  |  |                |    |  |  |                |    |  |  |                |    |  |  |                |    |  |  |                |    |  |  |                |    |  |  |                |    |  |  |                |    |  |  |                |    |  |  |                  |   |     |  |                |    |  |  |                |                   |     |  |                  |    |  |  |   |    |  |  |   |    |  |  |   |    |  |  |                |  |    |
|--|--|--------|--------|---|--------------------------|------|---|----|--|--|--------|---|--------|--------|---------------------------|--------------------|--------|--------|--|--------------------|--------|--------|----------------------------|--------------------|--------|--------|---------------------------|--------------------|--------|--------|---|----|--|--|----------------|-----|--|--|----------------|----|--|--|----------------|----|--|--|----------------|----|--|--|----------------|----|--|--|----------------|----|--|--|----------------|----|--|--|----------------|----|--|--|----------------|----|--|--|----------------|----|--|--|----------------|----|--|--|----------------|----|--|--|------------------|---|-----|--|----------------|----|--|--|----------------|-------------------|-----|--|------------------|----|--|--|---|----|--|--|---|----|--|--|---|----|--|--|----------------|--|----|
| 2                                      | Company<br>WEB   |        |        |   |                          |      |   |    |  |  |        |   |        |        |                           |                    |        |        |  |                    |        |        |                            |                    |        |        |                           |                    |        |        |   |    |  |  |                |     |  |  |                |    |  |  |                |    |  |  |                |    |  |  |                |    |  |  |                |    |  |  |                |    |  |  |                |    |  |  |                |    |  |  |                |    |  |  |                |    |  |  |                |    |  |  |                  |   |     |  |                |    |  |  |                |                   |     |  |                  |    |  |  |   |    |  |  |   |    |  |  |   |    |  |  |                |  |    |
| 5                                      | Residential solid fuel burning appliance – with water heating.<br>Häusliche Feuerstätte für feste Brennstoffe – mit Warmwasserbereitung.<br>Appareil à combustibles solides dans les bâtiments résidentiels – avec chauffage de l'eau.<br>Apparecchio a combustibili solidi in edifici residenziali – con riscaldamento dell'acqua.  |        |        |   |                          |      |   |    |  |  |        |   |        |        |                           |                    |        |        |  |                    |        |        |                            |                    |        |        |                           |                    |        |        |   |    |  |  |                |     |  |  |                |    |  |  |                |    |  |  |                |    |  |  |                |    |  |  |                |    |  |  |                |    |  |  |                |    |  |  |                |    |  |  |                |    |  |  |                |    |  |  |                |    |  |  |                  |   |     |  |                |    |  |  |                |                   |     |  |                  |    |  |  |   |    |  |  |   |    |  |  |   |    |  |  |                |  |    |
| 6                                      | Use only these recommended fuels.   Verwenden Sie nur diese empfohlenen Brennstoffe.<br>N'utilisez que ces combustibles recommandés.   Usare solo questi combustibili raccomandati.<br>Wood logs   Scheitholz   Bûches   Legna   |        |        |   |                          |      |   |    |  |  |        |   |        |        |                           |                    |        |        |  |                    |        |        |                            |                    |        |        |                           |                    |        |        |   |    |  |  |                |     |  |  |                |    |  |  |                |    |  |  |                |    |  |  |                |    |  |  |                |    |  |  |                |    |  |  |                |    |  |  |                |    |  |  |                |    |  |  |                |    |  |  |                |    |  |  |                  |   |     |  |                |    |  |  |                |                   |     |  |                  |    |  |  |   |    |  |  |   |    |  |  |   |    |  |  |                |  |    |
| 7                                      | Type of appliance   Klassifizierung des Geräts<br>Classification de l'appareil   Classificazione dell'apparecchio<br>Typ B   |        |        |   |                          |      |   |    |  |  |        |   |        |        |                           |                    |        |        |  |                    |        |        |                            |                    |        |        |                           |                    |        |        |   |    |  |  |                |     |  |  |                |    |  |  |                |    |  |  |                |    |  |  |                |    |  |  |                |    |  |  |                |    |  |  |                |    |  |  |                |    |  |  |                |    |  |  |                |    |  |  |                |    |  |  |                  |   |     |  |                |    |  |  |                |                   |     |  |                  |    |  |  |   |    |  |  |   |    |  |  |   |    |  |  |                |  |    |
| 8                                      | Standards   Normen<br>Normes   Norme<br>ČSN EN 16510-1 ed. 2:2023   Ecodesign   BImSchV2   DIN+   15a B-VG 2015  |        |        |   |                          |      |   |    |  |  |        |   |        |        |                           |                    |        |        |  |                    |        |        |                            |                    |        |        |                           |                    |        |        |   |    |  |  |                |     |  |  |                |    |  |  |                |    |  |  |                |    |  |  |                |    |  |  |                |    |  |  |                |    |  |  |                |    |  |  |                |    |  |  |                |    |  |  |                |    |  |  |                |    |  |  |                  |   |     |  |                |    |  |  |                |                   |     |  |                  |    |  |  |   |    |  |  |   |    |  |  |   |    |  |  |                |  |    |
| 9                                      | <table border="1"> <thead> <tr> <th></th> <th></th> <th>nom</th> <th>part</th> </tr> </thead> <tbody> <tr> <td>P</td> <td>kW</td> <td></td> <td></td> </tr> <tr> <td><math>\eta</math></td> <td>%</td> <td><math>\geq</math></td> <td><math>\geq</math></td> </tr> <tr> <td>CO (13 % O<sub>2</sub>)</td> <td>mg/Nm<sup>3</sup></td> <td><math>\leq</math></td> <td><math>\leq</math></td> </tr> <tr> <td>NO<sub>x</sub> (13 % O<sub>2</sub>)</td> <td>mg/Nm<sup>3</sup></td> <td><math>\leq</math></td> <td><math>\leq</math></td> </tr> <tr> <td>OGC (13 % O<sub>2</sub>)</td> <td>mg/Nm<sup>3</sup></td> <td><math>\leq</math></td> <td><math>\leq</math></td> </tr> <tr> <td>PM (13 % O<sub>2</sub>)</td> <td>mg/Nm<sup>3</sup></td> <td><math>\leq</math></td> <td><math>\leq</math></td> </tr> <tr> <td>p</td> <td>Pa</td> <td></td> <td></td> </tr> <tr> <td>P<sub>w</sub></td> <td>bar</td> <td></td> <td></td> </tr> <tr> <td>d<sub>a</sub></td> <td>mm</td> <td></td> <td></td> </tr> <tr> <td>d<sub>b</sub></td> <td>mm</td> <td></td> <td></td> </tr> <tr> <td>d<sub>c</sub></td> <td>mm</td> <td></td> <td></td> </tr> <tr> <td>d<sub>d</sub></td> <td>mm</td> <td></td> <td></td> </tr> <tr> <td>d<sub>e</sub></td> <td>mm</td> <td></td> <td></td> </tr> <tr> <td>d<sub>f</sub></td> <td>mm</td> <td></td> <td></td> </tr> <tr> <td>d<sub>g</sub></td> <td>mm</td> <td></td> <td></td> </tr> <tr> <td>d<sub>h</sub></td> <td>mm</td> <td></td> <td></td> </tr> <tr> <td>d<sub>i</sub></td> <td>mm</td> <td></td> <td></td> </tr> <tr> <td>d<sub>j</sub></td> <td>mm</td> <td></td> <td></td> </tr> <tr> <td>d<sub>k</sub></td> <td>mm</td> <td></td> <td></td> </tr> <tr> <td>W<sub>max</sub></td> <td>W</td> <td>NPD</td> <td></td> </tr> <tr> <td>T<sub>s</sub></td> <td>°C</td> <td></td> <td></td> </tr> <tr> <td>V<sub>n</sub></td> <td>m<sup>3</sup>/h</td> <td>NPD</td> <td></td> </tr> <tr> <td>d<sub>out</sub></td> <td>mm</td> <td></td> <td></td> </tr> <tr> <td>H</td> <td>mm</td> <td></td> <td></td> </tr> <tr> <td>W</td> <td>mm</td> <td></td> <td></td> </tr> <tr> <td>L</td> <td>mm</td> <td></td> <td></td> </tr> </tbody> </table> |        |        |   | nom                      | part | P | kW |  |  | $\eta$ | % | $\geq$ | $\geq$ | CO (13 % O <sub>2</sub> ) | mg/Nm <sup>3</sup> | $\leq$ | $\leq$ | NO <sub>x</sub> (13 % O <sub>2</sub> ) | mg/Nm <sup>3</sup> | $\leq$ | $\leq$ | OGC (13 % O <sub>2</sub> ) | mg/Nm <sup>3</sup> | $\leq$ | $\leq$ | PM (13 % O <sub>2</sub> ) | mg/Nm <sup>3</sup> | $\leq$ | $\leq$ | p | Pa |  |  | P <sub>w</sub> | bar |  |  | d <sub>a</sub> | mm |  |  | d <sub>b</sub> | mm |  |  | d <sub>c</sub> | mm |  |  | d <sub>d</sub> | mm |  |  | d <sub>e</sub> | mm |  |  | d <sub>f</sub> | mm |  |  | d <sub>g</sub> | mm |  |  | d <sub>h</sub> | mm |  |  | d <sub>i</sub> | mm |  |  | d <sub>j</sub> | mm |  |  | d <sub>k</sub> | mm |  |  | W <sub>max</sub> | W | NPD |  | T <sub>s</sub> | °C |  |  | V <sub>n</sub> | m <sup>3</sup> /h | NPD |  | d <sub>out</sub> | mm |  |  | H | mm |  |  | W | mm |  |  | L | mm |  |  | DOP/CPR<br>doc |  | 10 |
|  |  | nom    | part   |   |                          |      |   |    |  |  |        |   |        |        |                           |                    |        |        |  |                    |        |        |                            |                    |        |        |                           |                    |        |        |   |    |  |  |                |     |  |  |                |    |  |  |                |    |  |  |                |    |  |  |                |    |  |  |                |    |  |  |                |    |  |  |                |    |  |  |                |    |  |  |                |    |  |  |                |    |  |  |                |    |  |  |                  |   |     |  |                |    |  |  |                |                   |     |  |                  |    |  |  |   |    |  |  |   |    |  |  |   |    |  |  |                |  |    |
| P                                      | kW   |        |        |   |                          |      |   |    |  |  |        |   |        |        |                           |                    |        |        |  |                    |        |        |                            |                    |        |        |                           |                    |        |        |   |    |  |  |                |     |  |  |                |    |  |  |                |    |  |  |                |    |  |  |                |    |  |  |                |    |  |  |                |    |  |  |                |    |  |  |                |    |  |  |                |    |  |  |                |    |  |  |                |    |  |  |                  |   |     |  |                |    |  |  |                |                   |     |  |                  |    |  |  |   |    |  |  |   |    |  |  |   |    |  |  |                |  |    |
| $\eta$                                 | %  | $\geq$ | $\geq$ |   |                          |      |   |    |  |  |        |   |        |        |                           |                    |        |        |  |                    |        |        |                            |                    |        |        |                           |                    |        |        |   |    |  |  |                |     |  |  |                |    |  |  |                |    |  |  |                |    |  |  |                |    |  |  |                |    |  |  |                |    |  |  |                |    |  |  |                |    |  |  |                |    |  |  |                |    |  |  |                |    |  |  |                  |   |     |  |                |    |  |  |                |                   |     |  |                  |    |  |  |   |    |  |  |   |    |  |  |   |    |  |  |                |  |    |
| CO (13 % O <sub>2</sub> )              | mg/Nm <sup>3</sup>   | $\leq$ | $\leq$ |   |                          |      |   |    |  |  |        |   |        |        |                           |                    |        |        |  |                    |        |        |                            |                    |        |        |                           |                    |        |        |   |    |  |  |                |     |  |  |                |    |  |  |                |    |  |  |                |    |  |  |                |    |  |  |                |    |  |  |                |    |  |  |                |    |  |  |                |    |  |  |                |    |  |  |                |    |  |  |                |    |  |  |                  |   |     |  |                |    |  |  |                |                   |     |  |                  |    |  |  |   |    |  |  |   |    |  |  |   |    |  |  |                |  |    |
| NO <sub>x</sub> (13 % O <sub>2</sub> ) | mg/Nm <sup>3</sup>   | $\leq$ | $\leq$ |   |                          |      |   |    |  |  |        |   |        |        |                           |                    |        |        |  |                    |        |        |                            |                    |        |        |                           |                    |        |        |   |    |  |  |                |     |  |  |                |    |  |  |                |    |  |  |                |    |  |  |                |    |  |  |                |    |  |  |                |    |  |  |                |    |  |  |                |    |  |  |                |    |  |  |                |    |  |  |                |    |  |  |                  |   |     |  |                |    |  |  |                |                   |     |  |                  |    |  |  |   |    |  |  |   |    |  |  |   |    |  |  |                |  |    |
| OGC (13 % O <sub>2</sub> )             | mg/Nm <sup>3</sup>   | $\leq$ | $\leq$ |   |                          |      |   |    |  |  |        |   |        |        |                           |                    |        |        |  |                    |        |        |                            |                    |        |        |                           |                    |        |        |   |    |  |  |                |     |  |  |                |    |  |  |                |    |  |  |                |    |  |  |                |    |  |  |                |    |  |  |                |    |  |  |                |    |  |  |                |    |  |  |                |    |  |  |                |    |  |  |                |    |  |  |                  |   |     |  |                |    |  |  |                |                   |     |  |                  |    |  |  |   |    |  |  |   |    |  |  |   |    |  |  |                |  |    |
| PM (13 % O <sub>2</sub> )              | mg/Nm <sup>3</sup>   | $\leq$ | $\leq$ |   |                          |      |   |    |  |  |        |   |        |        |                           |                    |        |        |  |                    |        |        |                            |                    |        |        |                           |                    |        |        |   |    |  |  |                |     |  |  |                |    |  |  |                |    |  |  |                |    |  |  |                |    |  |  |                |    |  |  |                |    |  |  |                |    |  |  |                |    |  |  |                |    |  |  |                |    |  |  |                |    |  |  |                  |   |     |  |                |    |  |  |                |                   |     |  |                  |    |  |  |   |    |  |  |   |    |  |  |   |    |  |  |                |  |    |
| p                                      | Pa   |        |        |   |                          |      |   |    |  |  |        |   |        |        |                           |                    |        |        |  |                    |        |        |                            |                    |        |        |                           |                    |        |        |   |    |  |  |                |     |  |  |                |    |  |  |                |    |  |  |                |    |  |  |                |    |  |  |                |    |  |  |                |    |  |  |                |    |  |  |                |    |  |  |                |    |  |  |                |    |  |  |                |    |  |  |                  |   |     |  |                |    |  |  |                |                   |     |  |                  |    |  |  |   |    |  |  |   |    |  |  |   |    |  |  |                |  |    |
| P <sub>w</sub>                         | bar  |        |        |   |                          |      |   |    |  |  |        |   |        |        |                           |                    |        |        |  |                    |        |        |                            |                    |        |        |                           |                    |        |        |   |    |  |  |                |     |  |  |                |    |  |  |                |    |  |  |                |    |  |  |                |    |  |  |                |    |  |  |                |    |  |  |                |    |  |  |                |    |  |  |                |    |  |  |                |    |  |  |                |    |  |  |                  |   |     |  |                |    |  |  |                |                   |     |  |                  |    |  |  |   |    |  |  |   |    |  |  |   |    |  |  |                |  |    |
| d <sub>a</sub>                         | mm   |        |        |   |                          |      |   |    |  |  |        |   |        |        |                           |                    |        |        |  |                    |        |        |                            |                    |        |        |                           |                    |        |        |   |    |  |  |                |     |  |  |                |    |  |  |                |    |  |  |                |    |  |  |                |    |  |  |                |    |  |  |                |    |  |  |                |    |  |  |                |    |  |  |                |    |  |  |                |    |  |  |                |    |  |  |                  |   |     |  |                |    |  |  |                |                   |     |  |                  |    |  |  |   |    |  |  |   |    |  |  |   |    |  |  |                |  |    |
| d <sub>b</sub>                         | mm   |        |        |   |                          |      |   |    |  |  |        |   |        |        |                           |                    |        |        |  |                    |        |        |                            |                    |        |        |                           |                    |        |        |   |    |  |  |                |     |  |  |                |    |  |  |                |    |  |  |                |    |  |  |                |    |  |  |                |    |  |  |                |    |  |  |                |    |  |  |                |    |  |  |                |    |  |  |                |    |  |  |                |    |  |  |                  |   |     |  |                |    |  |  |                |                   |     |  |                  |    |  |  |   |    |  |  |   |    |  |  |   |    |  |  |                |  |    |
| d <sub>c</sub>                         | mm   |        |        |   |                          |      |   |    |  |  |        |   |        |        |                           |                    |        |        |  |                    |        |        |                            |                    |        |        |                           |                    |        |        |   |    |  |  |                |     |  |  |                |    |  |  |                |    |  |  |                |    |  |  |                |    |  |  |                |    |  |  |                |    |  |  |                |    |  |  |                |    |  |  |                |    |  |  |                |    |  |  |                |    |  |  |                  |   |     |  |                |    |  |  |                |                   |     |  |                  |    |  |  |   |    |  |  |   |    |  |  |   |    |  |  |                |  |    |
| d <sub>d</sub>                         | mm   |        |        |   |                          |      |   |    |  |  |        |   |        |        |                           |                    |        |        |  |                    |        |        |                            |                    |        |        |                           |                    |        |        |   |    |  |  |                |     |  |  |                |    |  |  |                |    |  |  |                |    |  |  |                |    |  |  |                |    |  |  |                |    |  |  |                |    |  |  |                |    |  |  |                |    |  |  |                |    |  |  |                |    |  |  |                  |   |     |  |                |    |  |  |                |                   |     |  |                  |    |  |  |   |    |  |  |   |    |  |  |   |    |  |  |                |  |    |
| d <sub>e</sub>                         | mm   |        |        |   |                          |      |   |    |  |  |        |   |        |        |                           |                    |        |        |  |                    |        |        |                            |                    |        |        |                           |                    |        |        |   |    |  |  |                |     |  |  |                |    |  |  |                |    |  |  |                |    |  |  |                |    |  |  |                |    |  |  |                |    |  |  |                |    |  |  |                |    |  |  |                |    |  |  |                |    |  |  |                |    |  |  |                  |   |     |  |                |    |  |  |                |                   |     |  |                  |    |  |  |   |    |  |  |   |    |  |  |   |    |  |  |                |  |    |
| d <sub>f</sub>                         | mm   |        |        |   |                          |      |   |    |  |  |        |   |        |        |                           |                    |        |        |  |                    |        |        |                            |                    |        |        |                           |                    |        |        |   |    |  |  |                |     |  |  |                |    |  |  |                |    |  |  |                |    |  |  |                |    |  |  |                |    |  |  |                |    |  |  |                |    |  |  |                |    |  |  |                |    |  |  |                |    |  |  |                |    |  |  |                  |   |     |  |                |    |  |  |                |                   |     |  |                  |    |  |  |   |    |  |  |   |    |  |  |   |    |  |  |                |  |    |
| d <sub>g</sub>                         | mm   |        |        |   |                          |      |   |    |  |  |        |   |        |        |                           |                    |        |        |  |                    |        |        |                            |                    |        |        |                           |                    |        |        |   |    |  |  |                |     |  |  |                |    |  |  |                |    |  |  |                |    |  |  |                |    |  |  |                |    |  |  |                |    |  |  |                |    |  |  |                |    |  |  |                |    |  |  |                |    |  |  |                |    |  |  |                  |   |     |  |                |    |  |  |                |                   |     |  |                  |    |  |  |   |    |  |  |   |    |  |  |   |    |  |  |                |  |    |
| d <sub>h</sub>                         | mm   |        |        |   |                          |      |   |    |  |  |        |   |        |        |                           |                    |        |        |  |                    |        |        |                            |                    |        |        |                           |                    |        |        |   |    |  |  |                |     |  |  |                |    |  |  |                |    |  |  |                |    |  |  |                |    |  |  |                |    |  |  |                |    |  |  |                |    |  |  |                |    |  |  |                |    |  |  |                |    |  |  |                |    |  |  |                  |   |     |  |                |    |  |  |                |                   |     |  |                  |    |  |  |   |    |  |  |   |    |  |  |   |    |  |  |                |  |    |
| d <sub>i</sub>                         | mm   |        |        |   |                          |      |   |    |  |  |        |   |        |        |                           |                    |        |        |  |                    |        |        |                            |                    |        |        |                           |                    |        |        |   |    |  |  |                |     |  |  |                |    |  |  |                |    |  |  |                |    |  |  |                |    |  |  |                |    |  |  |                |    |  |  |                |    |  |  |                |    |  |  |                |    |  |  |                |    |  |  |                |    |  |  |                  |   |     |  |                |    |  |  |                |                   |     |  |                  |    |  |  |   |    |  |  |   |    |  |  |   |    |  |  |                |  |    |
| d <sub>j</sub>                         | mm   |        |        |   |                          |      |   |    |  |  |        |   |        |        |                           |                    |        |        |  |                    |        |        |                            |                    |        |        |                           |                    |        |        |   |    |  |  |                |     |  |  |                |    |  |  |                |    |  |  |                |    |  |  |                |    |  |  |                |    |  |  |                |    |  |  |                |    |  |  |                |    |  |  |                |    |  |  |                |    |  |  |                |    |  |  |                  |   |     |  |                |    |  |  |                |                   |     |  |                  |    |  |  |   |    |  |  |   |    |  |  |   |    |  |  |                |  |    |
| d <sub>k</sub>                         | mm   |        |        |   |                          |      |   |    |  |  |        |   |        |        |                           |                    |        |        |  |                    |        |        |                            |                    |        |        |                           |                    |        |        |   |    |  |  |                |     |  |  |                |    |  |  |                |    |  |  |                |    |  |  |                |    |  |  |                |    |  |  |                |    |  |  |                |    |  |  |                |    |  |  |                |    |  |  |                |    |  |  |                |    |  |  |                  |   |     |  |                |    |  |  |                |                   |     |  |                  |    |  |  |   |    |  |  |   |    |  |  |   |    |  |  |                |  |    |
| W <sub>max</sub>                       | W  | NPD    |        |   |                          |      |   |    |  |  |        |   |        |        |                           |                    |        |        |  |                    |        |        |                            |                    |        |        |                           |                    |        |        |   |    |  |  |                |     |  |  |                |    |  |  |                |    |  |  |                |    |  |  |                |    |  |  |                |    |  |  |                |    |  |  |                |    |  |  |                |    |  |  |                |    |  |  |                |    |  |  |                |    |  |  |                  |   |     |  |                |    |  |  |                |                   |     |  |                  |    |  |  |   |    |  |  |   |    |  |  |   |    |  |  |                |  |    |
| T <sub>s</sub>                         | °C   |        |        |   |                          |      |   |    |  |  |        |   |        |        |                           |                    |        |        |  |                    |        |        |                            |                    |        |        |                           |                    |        |        |   |    |  |  |                |     |  |  |                |    |  |  |                |    |  |  |                |    |  |  |                |    |  |  |                |    |  |  |                |    |  |  |                |    |  |  |                |    |  |  |                |    |  |  |                |    |  |  |                |    |  |  |                  |   |     |  |                |    |  |  |                |                   |     |  |                  |    |  |  |   |    |  |  |   |    |  |  |   |    |  |  |                |  |    |
| V <sub>n</sub>                         | m <sup>3</sup> /h  | NPD    |        |   |                          |      |   |    |  |  |        |   |        |        |                           |                    |        |        |  |                    |        |        |                            |                    |        |        |                           |                    |        |        |   |    |  |  |                |     |  |  |                |    |  |  |                |    |  |  |                |    |  |  |                |    |  |  |                |    |  |  |                |    |  |  |                |    |  |  |                |    |  |  |                |    |  |  |                |    |  |  |                |    |  |  |                  |   |     |  |                |    |  |  |                |                   |     |  |                  |    |  |  |   |    |  |  |   |    |  |  |   |    |  |  |                |  |    |
| d <sub>out</sub>                       | mm   |        |        |   |                          |      |   |    |  |  |        |   |        |        |                           |                    |        |        |  |                    |        |        |                            |                    |        |        |                           |                    |        |        |   |    |  |  |                |     |  |  |                |    |  |  |                |    |  |  |                |    |  |  |                |    |  |  |                |    |  |  |                |    |  |  |                |    |  |  |                |    |  |  |                |    |  |  |                |    |  |  |                |    |  |  |                  |   |     |  |                |    |  |  |                |                   |     |  |                  |    |  |  |   |    |  |  |   |    |  |  |   |    |  |  |                |  |    |
| H                                      | mm   |        |        |   |                          |      |   |    |  |  |        |   |        |        |                           |                    |        |        |  |                    |        |        |                            |                    |        |        |                           |                    |        |        |   |    |  |  |                |     |  |  |                |    |  |  |                |    |  |  |                |    |  |  |                |    |  |  |                |    |  |  |                |    |  |  |                |    |  |  |                |    |  |  |                |    |  |  |                |    |  |  |                |    |  |  |                  |   |     |  |                |    |  |  |                |                   |     |  |                  |    |  |  |   |    |  |  |   |    |  |  |   |    |  |  |                |  |    |
| W                                      | mm   |        |        |   |                          |      |   |    |  |  |        |   |        |        |                           |                    |        |        |  |                    |        |        |                            |                    |        |        |                           |                    |        |        |   |    |  |  |                |     |  |  |                |    |  |  |                |    |  |  |                |    |  |  |                |    |  |  |                |    |  |  |                |    |  |  |                |    |  |  |                |    |  |  |                |    |  |  |                |    |  |  |                |    |  |  |                  |   |     |  |                |    |  |  |                |                   |     |  |                  |    |  |  |   |    |  |  |   |    |  |  |   |    |  |  |                |  |    |
| L                                      | mm   |        |        |   |                          |      |   |    |  |  |        |   |        |        |                           |                    |        |        |  |                    |        |        |                            |                    |        |        |                           |                    |        |        |   |    |  |  |                |     |  |  |                |    |  |  |                |    |  |  |                |    |  |  |                |    |  |  |                |    |  |  |                |    |  |  |                |    |  |  |                |    |  |  |                |    |  |  |                |    |  |  |                |    |  |  |                  |   |     |  |                |    |  |  |                |                   |     |  |                  |    |  |  |   |    |  |  |   |    |  |  |   |    |  |  |                |  |    |
|  | When installing and operating the product, follow the installation instructions and general instructions. Not for continuous heating.<br>Bei der Installation und dem Betrieb des Produkts sind die Installations- und die allgemeine Bedienungsanleitung zu beachten. Die Feuerstätte ist nicht für den Dauerbetrieb geeignet.<br>Lors de l'installation et de l'utilisation du produit, suivez les instructions d'installation et le mode d'emploi général. L'appareil n'est pas conçu pour un chauffage continu.<br>Per l'installazione e il funzionamento del prodotto, attenersi alle istruzioni di installazione e alle istruzioni generali. Non per il riscaldamento continuo.  |        |        |   |                          |      |   |    |  |  |        |   |        |        |                           |                    |        |        |  |                    |        |        |                            |                    |        |        |                           |                    |        |        |   |    |  |  |                |     |  |  |                |    |  |  |                |    |  |  |                |    |  |  |                |    |  |  |                |    |  |  |                |    |  |  |                |    |  |  |                |    |  |  |                |    |  |  |                |    |  |  |                |    |  |  |                  |   |     |  |                |    |  |  |                |                   |     |  |                  |    |  |  |   |    |  |  |   |    |  |  |   |    |  |  |                |  |    |
|  | Serial number   Seriennummer<br>Numéro de série   Numero di serie  |        |        |   |                          |      |   |    |  |  |        |   |        |        |                           |                    |        |        |  |                    |        |        |                            |                    |        |        |                           |                    |        |        |   |    |  |  |                |     |  |  |                |    |  |  |                |    |  |  |                |    |  |  |                |    |  |  |                |    |  |  |                |    |  |  |                |    |  |  |                |    |  |  |                |    |  |  |                |    |  |  |                |    |  |  |                  |   |     |  |                |    |  |  |                |                   |     |  |                  |    |  |  |   |    |  |  |   |    |  |  |   |    |  |  |                |  |    |
|  |    |        | 12     |   |                          |      |   |    |  |  |        |   |        |        |                           |                    |        |        |  |                    |        |        |                            |                    |        |        |                           |                    |        |        |   |    |  |  |                |     |  |  |                |    |  |  |                |    |  |  |                |    |  |  |                |    |  |  |                |    |  |  |                |    |  |  |                |    |  |  |                |    |  |  |                |    |  |  |                |    |  |  |                |    |  |  |                  |   |     |  |                |    |  |  |                |                   |     |  |                  |    |  |  |   |    |  |  |   |    |  |  |   |    |  |  |                |  |    |
|  | NUMBER   |        |        |   |                          |      |   |    |  |  |        |   |        |        |                           |                    |        |        |  |                    |        |        |                            |                    |        |        |                           |                    |        |        |   |    |  |  |                |     |  |  |                |    |  |  |                |    |  |  |                |    |  |  |                |    |  |  |                |    |  |  |                |    |  |  |                |    |  |  |                |    |  |  |                |    |  |  |                |    |  |  |                |    |  |  |                  |   |     |  |                |    |  |  |                |                   |     |  |                  |    |  |  |   |    |  |  |   |    |  |  |   |    |  |  |                |  |    |

- Nome del produttore o marchio registrato
- Sede aziendale, sito web
- Marchio di conformità CE, le cifre indicano l'anno di emissione del certificato
- Tipo, numero o designazione del modello per identificare il prodotto
- Specifiche del prodotto
- Combustibili consigliati
- Classificazione dei prodotti
- Norme applicabili
- Tabella dei valori

**nom** – valori alla potenza termica nominale

**part** – valori alla potenza termica parziale

P – potenza termica

P<sub>w</sub> – potenza dello scambiatore di acqua calda

$\eta$  – efficienza energetica

CO – emissioni di CO al 13 % di O<sub>2</sub>

NO<sub>x</sub> – NO<sub>x</sub> al 13 % di O<sub>2</sub>

OGC – OGC al 13 % di O<sub>2</sub>

PM – polvere al 13 % di O<sub>2</sub>

p – tiro minimo di esercizio

p<sub>w</sub> – pressione massima di funzionamento

**Distanza da materiali infiammabili:**

d<sub>R</sub> – posteriore

d<sub>S</sub> – laterali

d<sub>C</sub> – dal soffitto

d<sub>B</sub> – anteriore

d<sub>F</sub> – anteriore (rispetto al pavimento)

d<sub>L</sub> – radiazione laterale

d<sub>B</sub> – dal pavimento

**Distanza da materiali non infiammabili:**

d<sub>Rnon</sub> – posteriore

d<sub>Snon</sub> – laterali

d<sub>S2non</sub> – laterali (nicchia)

**Proprietà del prodotto:**

W<sub>max</sub> – potenza elettrica massima

T<sub>s</sub> – temperatura d'uscita dei gas di scario

V<sub>n</sub> – perdita d'aria in piedi

d<sub>out</sub> – diametro del gola della canna fumaria

H – altezza

W – larghezza

L – profondità

NPD (No Performance Determined) – un'abbreviazione internazionale che può essere utilizzata quando non sono specificati proprietà o parametri. La marcatura è conforme al Regolamento UE 305/2011.

10. Documento di Dichiarazione di Prestazione

11. Istruzioni

12. Codice a barre | Numero di serie

**EN Product sheet under Regulation EU 2015/1186**

|   |                      |
|---|----------------------|
| Supplier's name or trademark                            | Romotop spol. s r.o. |
| Supplier's model identifier                             | HEAT 4G 70.50.06     |
| The energy efficiency class of the model                | A                    |
| The direct heat output in (kW)                          | 11,0                 |
| The indirect heat output in (kW)                        | -                    |
| The energy efficiency index EEI                         | 106                  |
| The useful energy efficiency at nominal heat output (%) | 80                   |
| The useful energy efficiency at minimum load (%)        | Pass                 |

Installation and maintenance instructions:

**Please read and follow the installation and operating instructions!**  
**Distances to combustible components and fire protection must be observed!**  
**Sufficient combustion air must be able to flow to the fireplace!**  
**Heating devices with water technology may only be put into operation if all safety devices are operational and functional!**

**DE Produktdatenblatt gemäß Verordnung EU 2015/1186**

|  |                      |
|--|----------------------|
| Name oder Warenzeichen des Lieferanten     | Romotop spol. s r.o. |
| Modellkennung des Lieferanten              | HEAT 4G 70.50.06     |
| Energieeffizienzklasse des Modells         | A                    |
| Direkte Wärmeleistung (kW)                 | 11,0                 |
| Indirekte Wärmeleistung (kW)               | -                    |
| Energieeffizienzindex EEI                  | 106                  |
| Energieeffizienz bei Nennwärmeleistung (%) | 80                   |
| Energieeffizienz bei Mindestlast (%)       | Pass                 |

Hinweise zu Installation und Wartung:

**Bitte lesen und befolgen Sie die Aufstell- und Bedienungsanleitung!**  
**Abstände zu brennbaren Bauteilen sowie Brandschutz müssen eingehalten werden!**  
**Der Feuerstätte muss ausreichend Verbrennungsluft zuströmen können!**  
**Heizgeräte mit Wassertechnik dürfen nur in Betrieb genommen werden, wenn alle Sicherheitseinrichtungen betriebsbereit und funktionsfähig sind!**

**FR Fiche produit selon la réglementation EU 2015/1186**

|   |                      |
|---|----------------------|
| Le nom du fournisseur ou la marque commerciale              | Romotop spol. s r.o. |
| La référence du modèle donnée par le fournisseur            | HEAT 4G 70.50.06     |
| La classe d'efficacité énergétique du modèle                | A                    |
| La puissance thermique directe en (kW)                      | 11,0                 |
| La puissance thermique indirecte en (kW)                    | -                    |
| L'indice d'efficacité énergétique EEI                       | 106                  |
| Le rendement utile à la puissance thermique nominale et (%) | 80                   |
| Le rendement utile à la puissance thermique minimale (%)    | Pass                 |

Instructions d'installation et d'entretien:

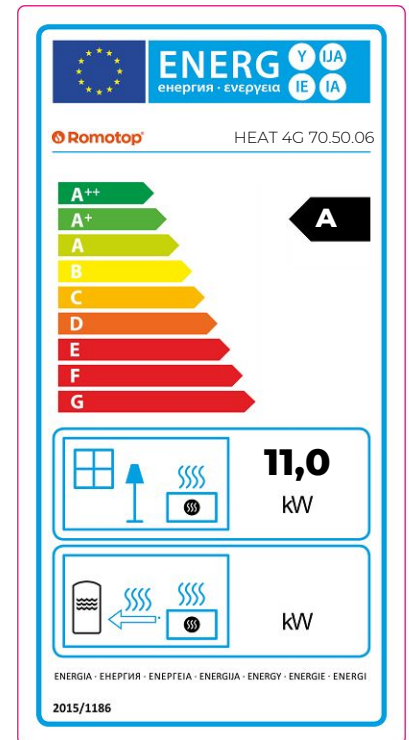
**Veillez lire attentivement les instructions d'installation et d'utilisation et respecter les!**  
**Les distances par rapport aux éléments combustibles et la protection contre le feu doivent être respectées!**  
**L'air de combustion doit circuler en quantité suffisante dans le produit!**  
**Le produit échangeur d'eau chaude ne doit être mis en service que si tous les dispositifs de sécurité sont fonctionnels!**

**IT Scheda prodotto secondo normativa EU 2015/1186**

|  |                      |
|--|----------------------|
| Nome oppure marchio del fornitore                            | Romotop spol. s r.o. |
| Codice prodotto del fornitore                                | HEAT 4G 70.50.06     |
| Classe di efficienza energetica del modello                  | A                    |
| Potenza termica diretta in (kW)                              | 11,0                 |
| Potenza termica indiretta in (kW)                            | -                    |
| Indice di efficienza prodotto EEI                            | 106                  |
| Efficienza del combustibile con potenza termica nominale (%) | 80                   |
| Efficienza del combustibile con carico minimo (%)            | Pass                 |

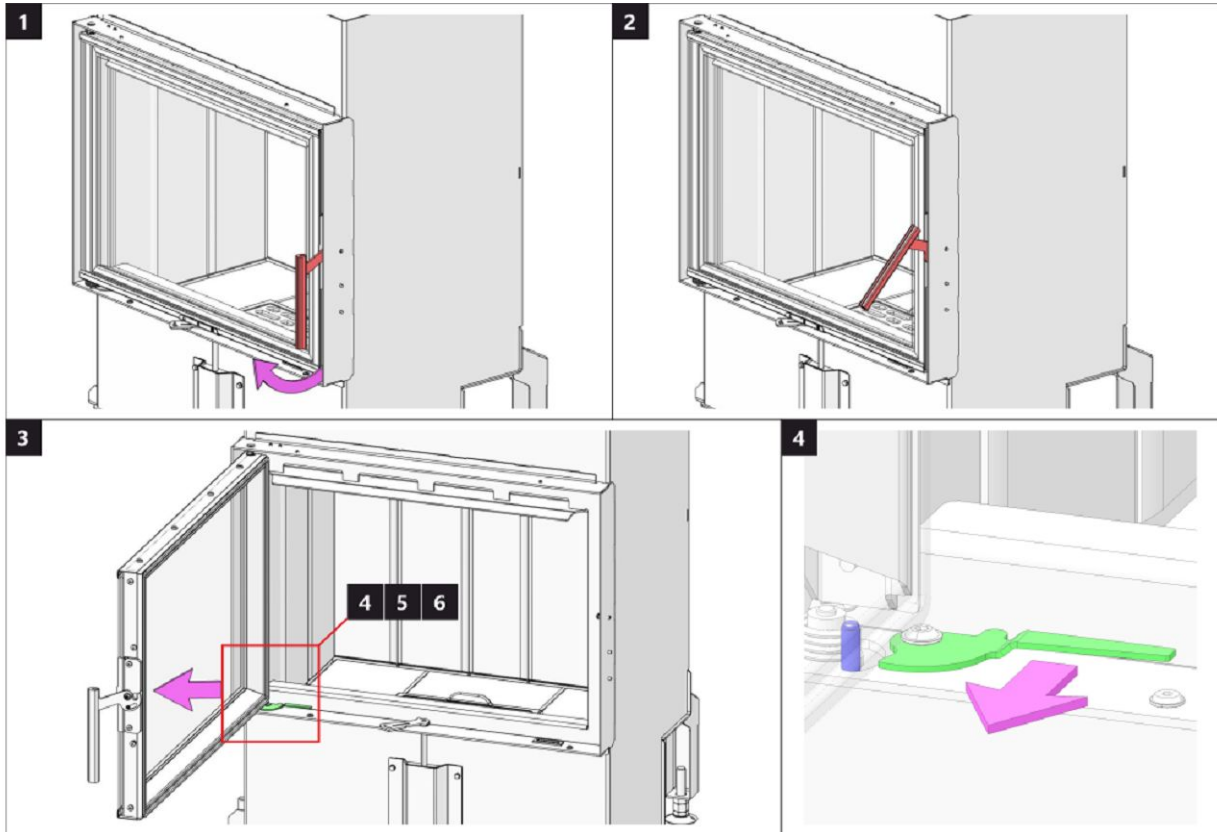
Istruzioni per l'installazione e la manutenzione:

**Leggere attentamente e seguire le istruzioni generali.**  
**Rispettare le distanze dai materiali combustibili e dalla protezione antincendio!**  
**Nel prodotto deve affluire una quantità sufficiente di aria di combustione!**  
**Lo scambiatore di calore per acqua calda può essere messo in funzione solo se tutti i dispositivi di sicurezza sono funzionanti!**



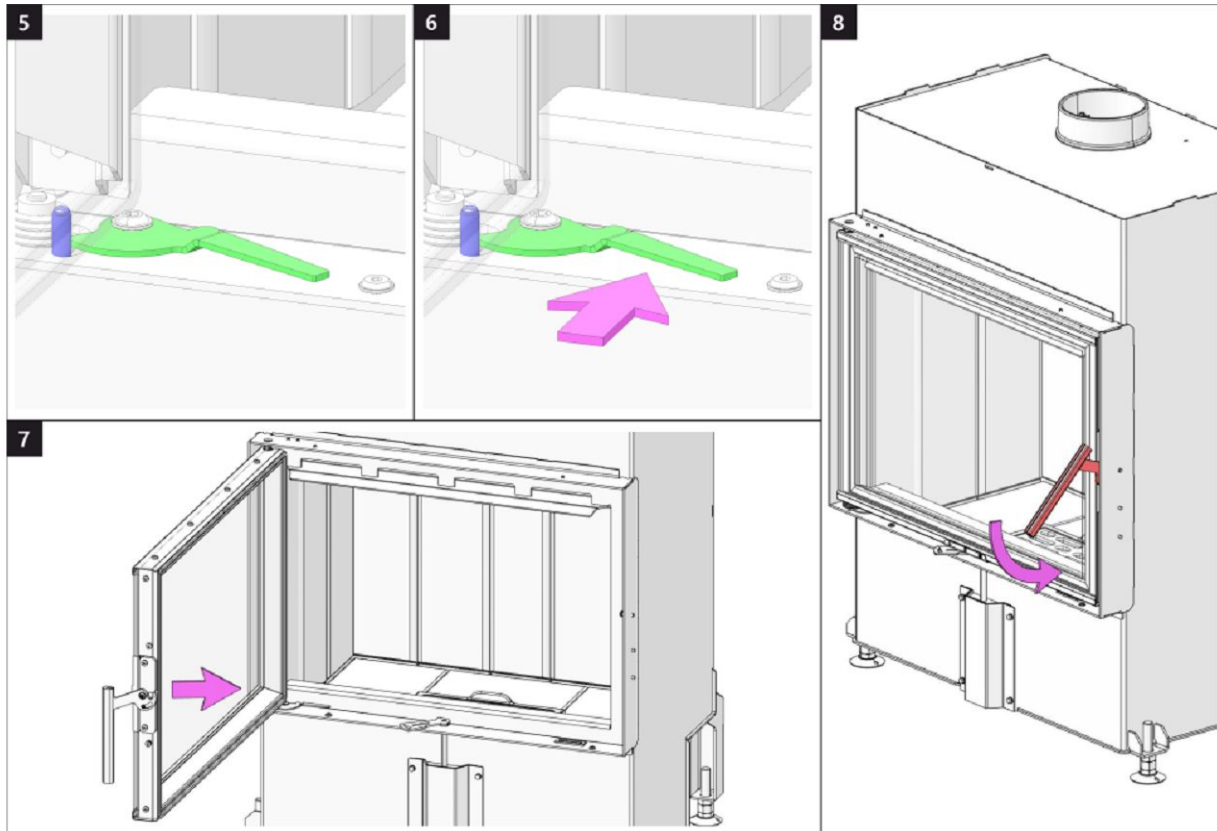
## Fireplace door – Locking mechanism 1 | Feuerraumtür – Arretierung 1

## Porte du foyer – Mécanisme de verrouillage 1 | Sportello del focolare – Meccanismo di blocco 1

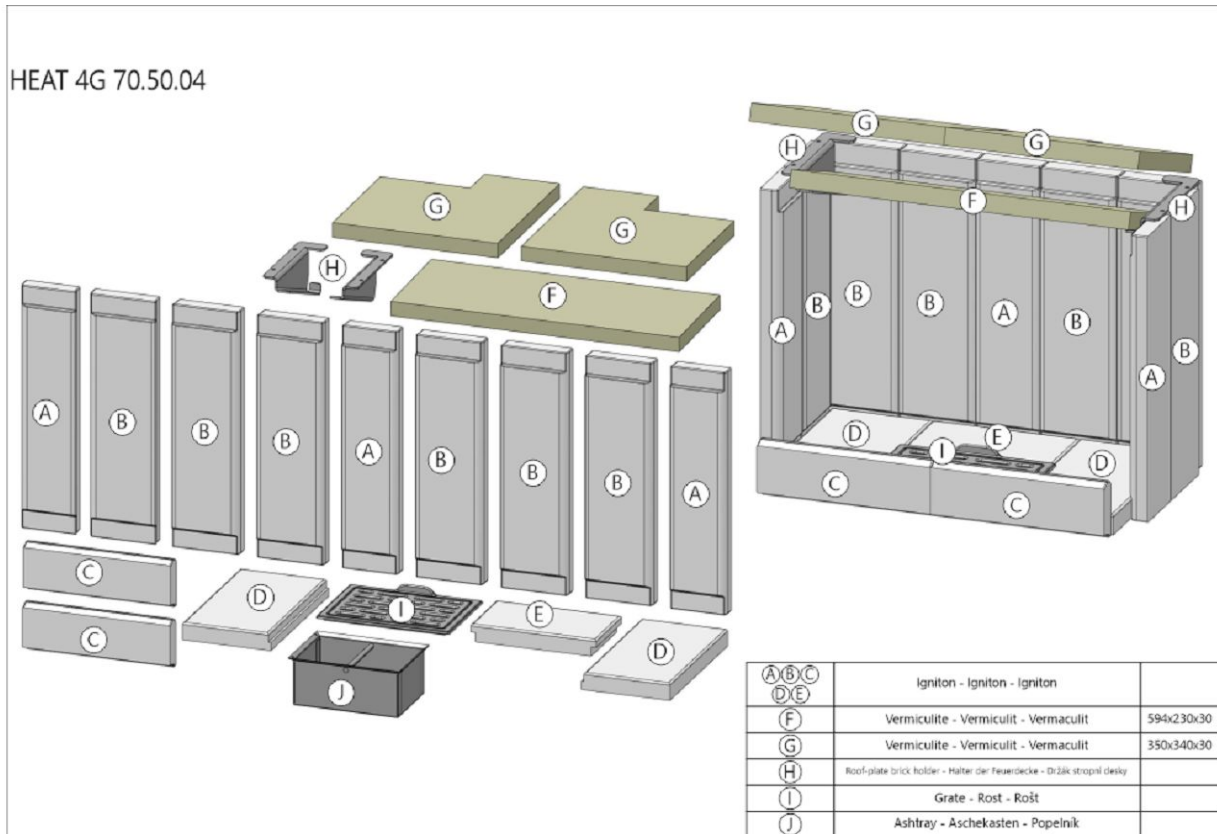


## Fireplace door – Locking mechanism 2 | Feuerraumtür – Arretierung 2

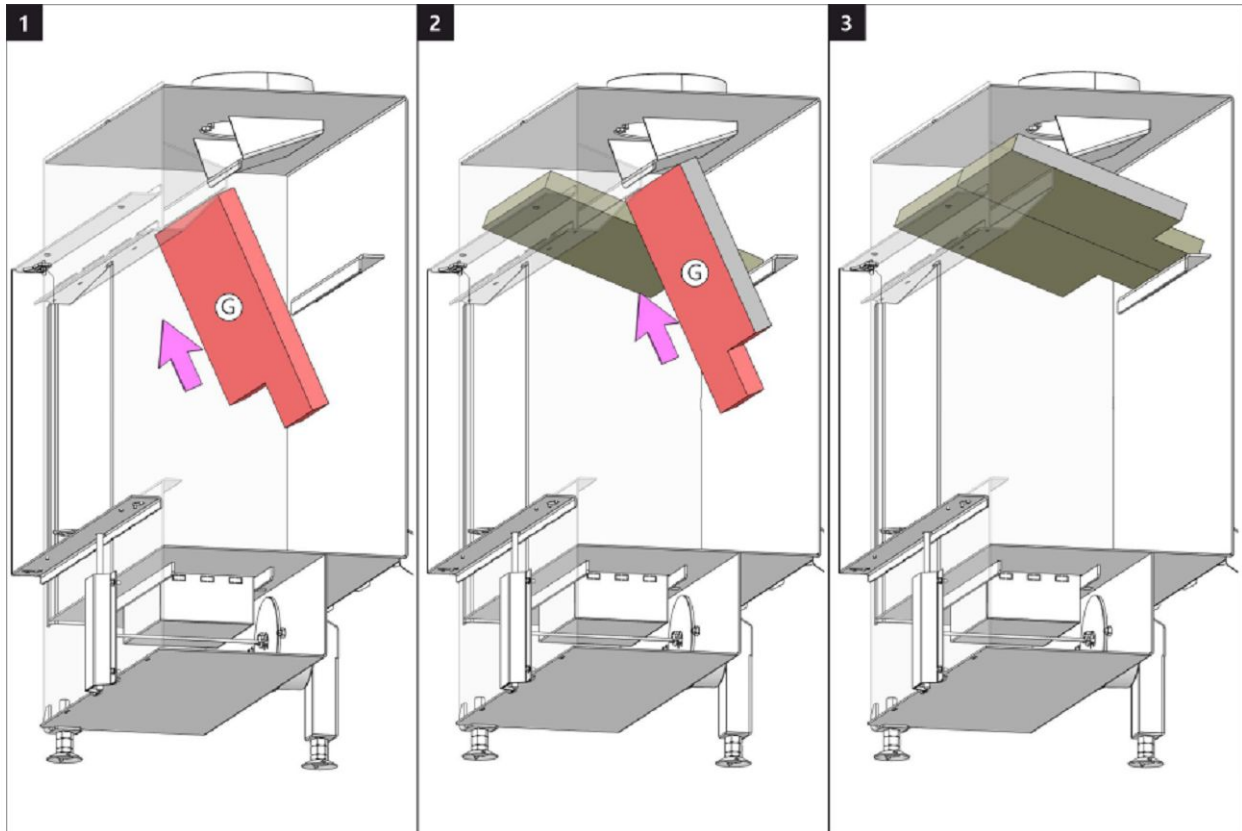
## Porte du foyer – Mécanisme de verrouillage 2 | Sportello del focolare – Meccanismo di blocco 2



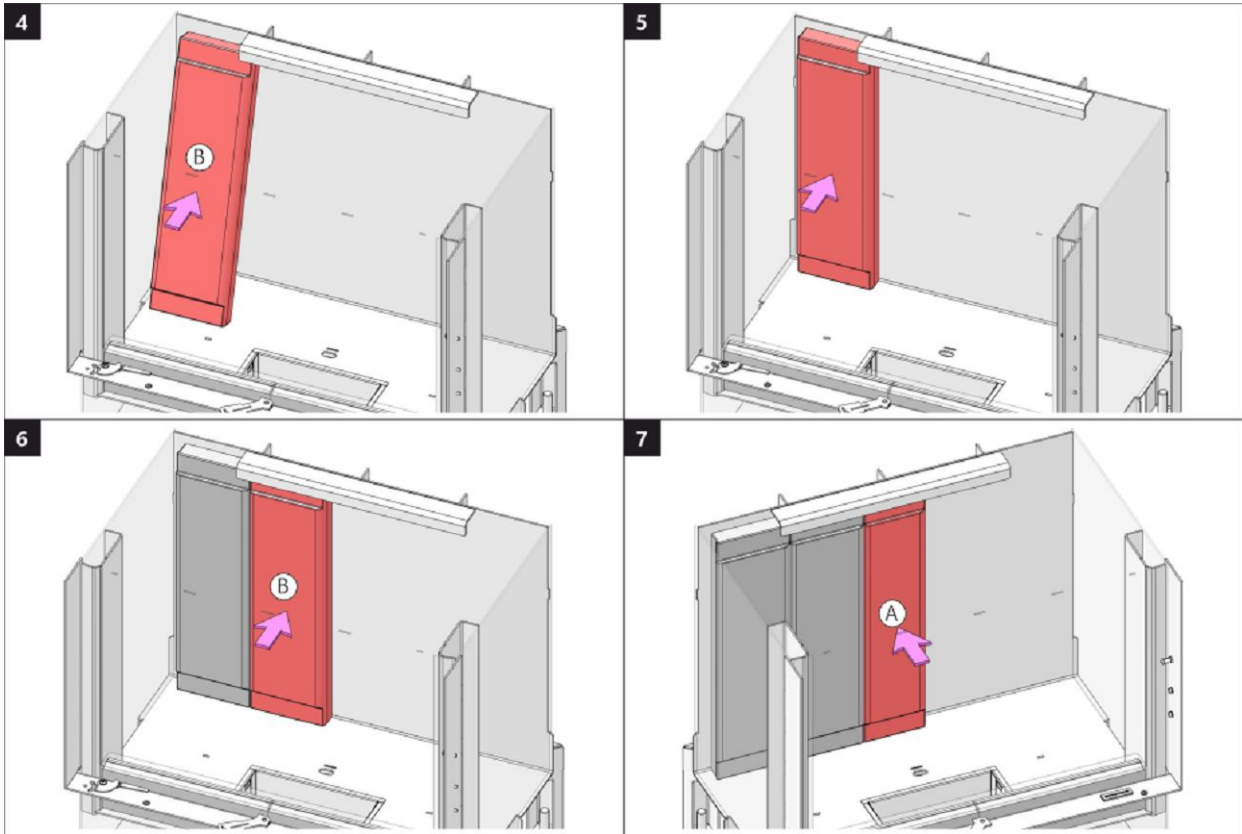
## Burning chamber 1 | Brennkammer 1 | Chambre de combustion 1 | Camera di combustione 1



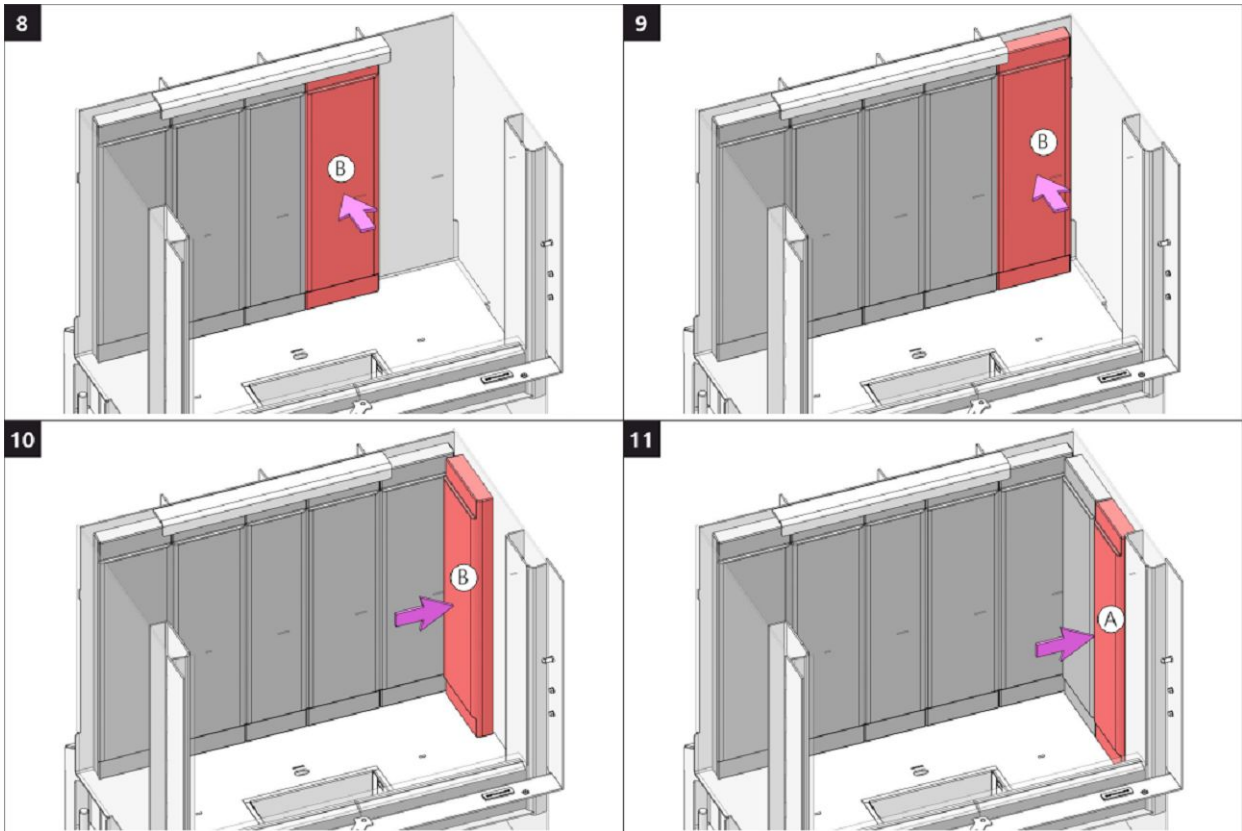
## Burning chamber 2 | Brennkammer 2 | Chambre de combustion 2 | Camera di combustione 2



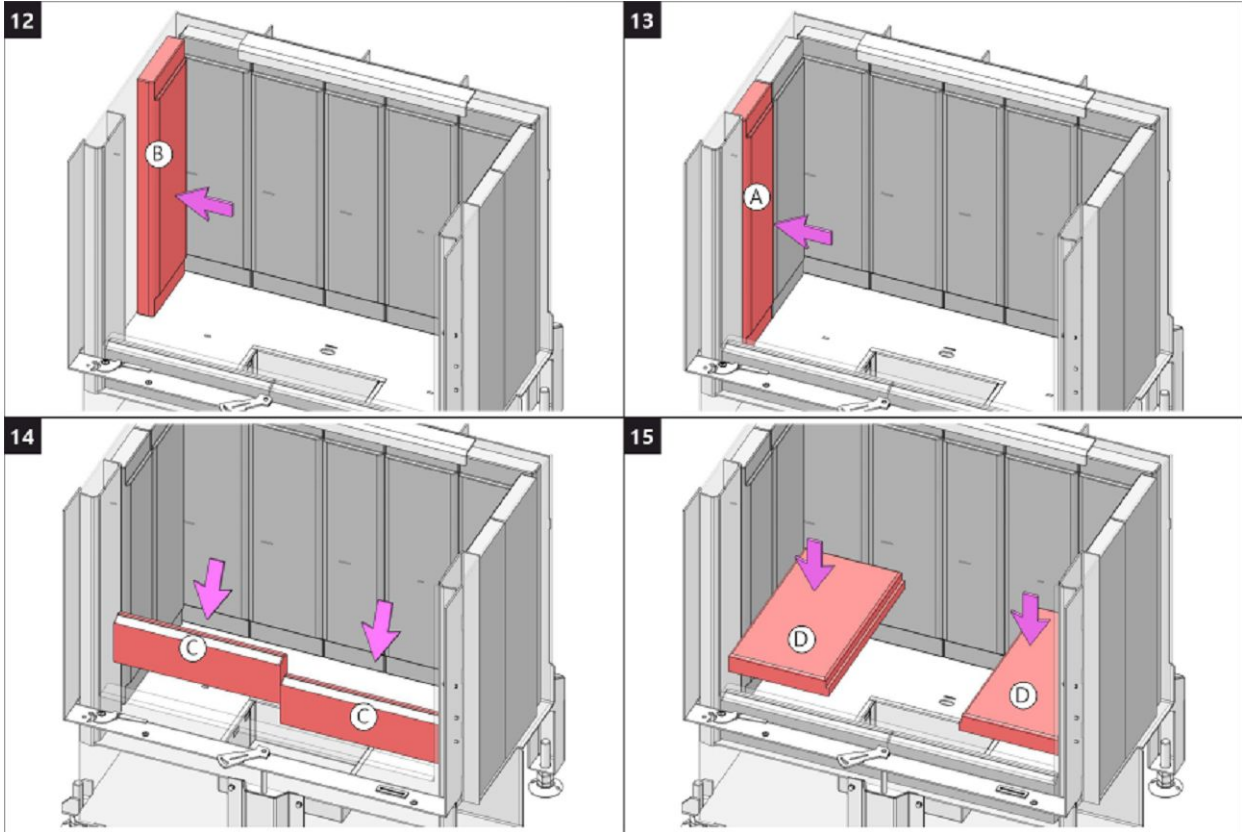
## Burning chamber 3 | Brennkammer 3 | Chambre de combustion 3 | Camera di combustione 3



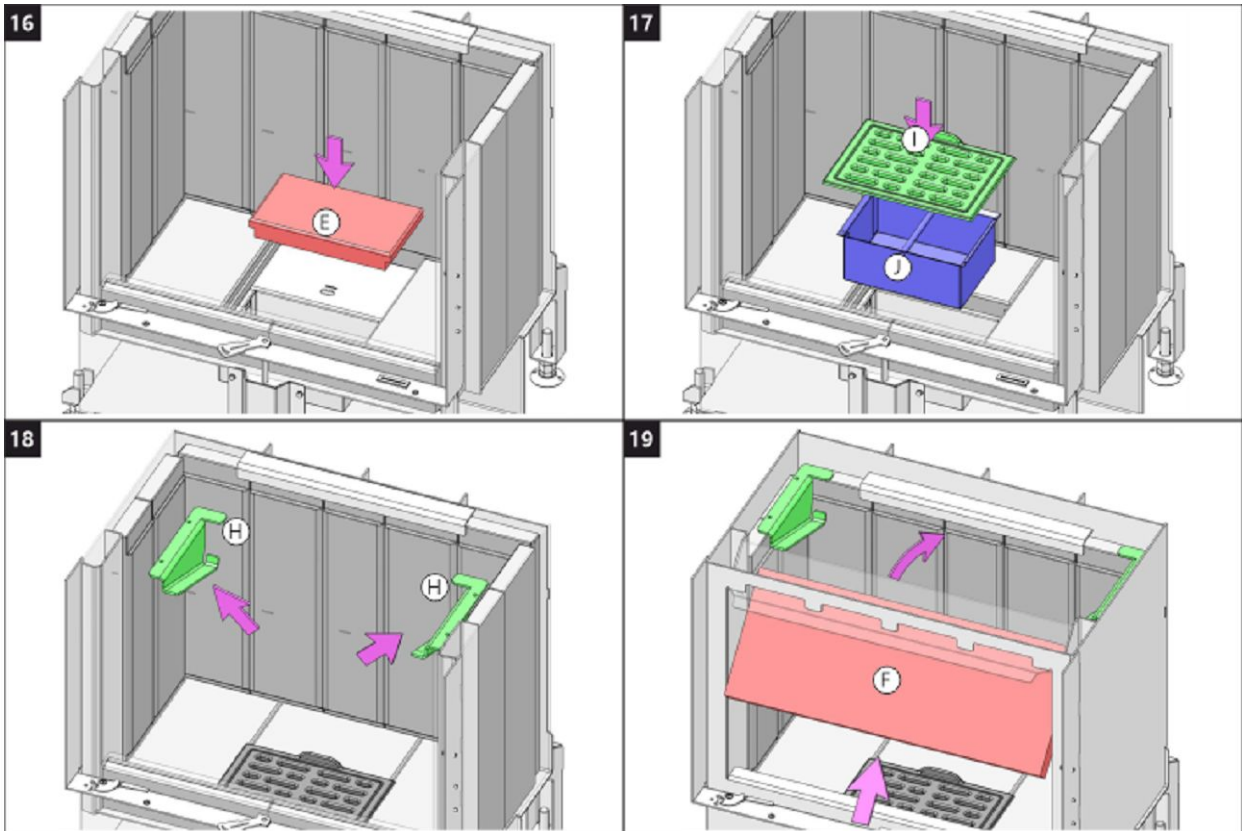
## Burning chamber 4 | Brennkammer 4 | Chambre de combustion 4 | Camera di combustione 4

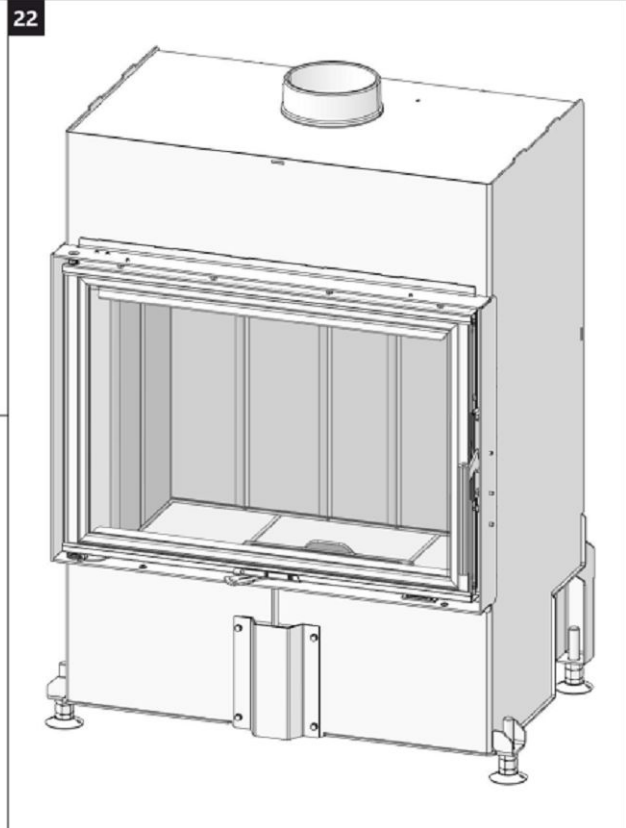
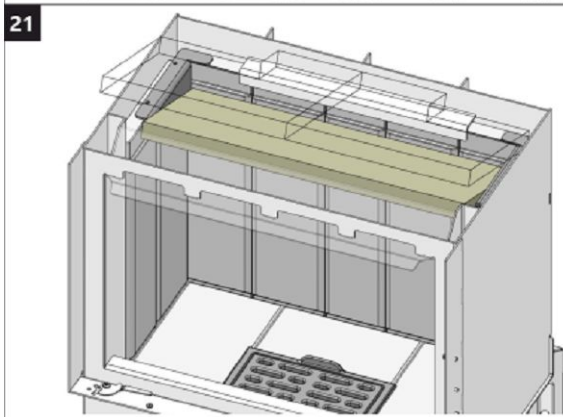
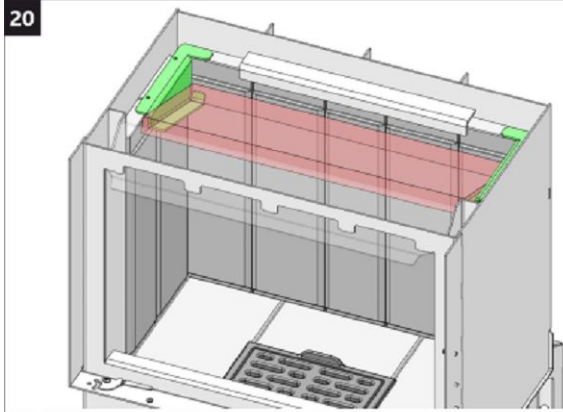


## Burning chamber 5 | Brennkammer 5 | Chambre de combustion 5 | Camera di combustione 5



## Burning chamber 6 | Brennkammer 6 | Chambre de combustion 6 | Camera di combustione 6







ROMOTOP spol. s r. o.

Komenského 325  
742 01 Suchdol nad Odrou  
Czech Republic

[www.romotop.com](http://www.romotop.com)