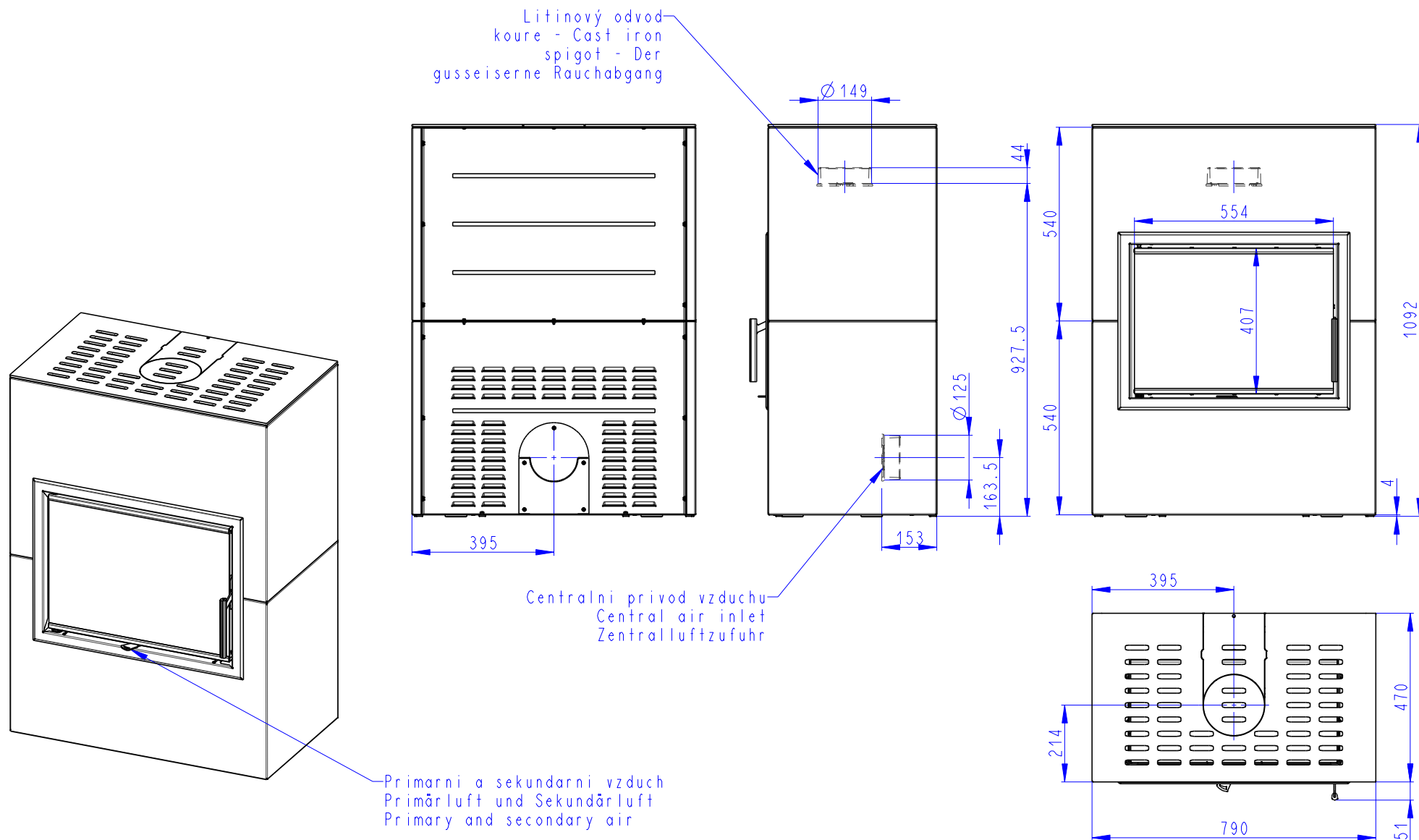


Rozměry v mm
Maße in mm
Dimensions in mm

VARIANT FN 03

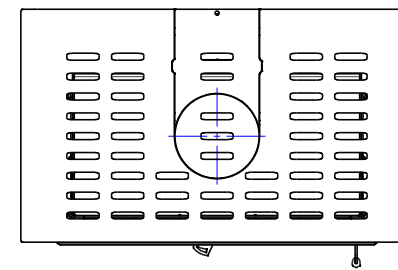
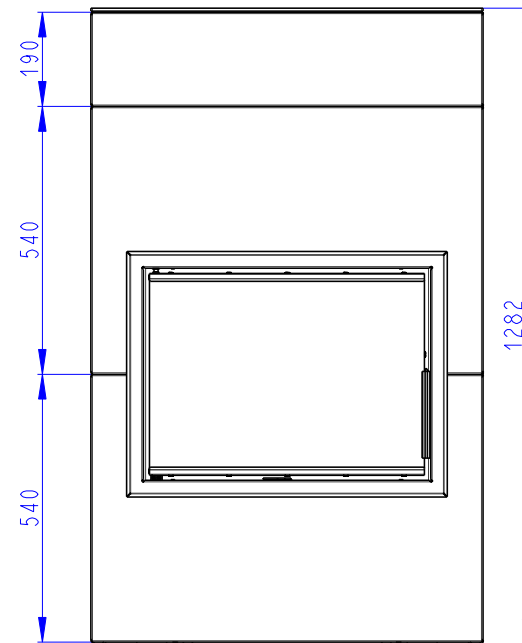
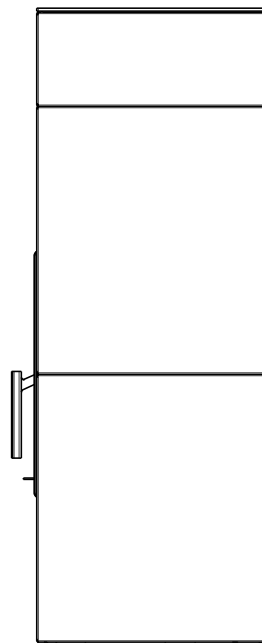
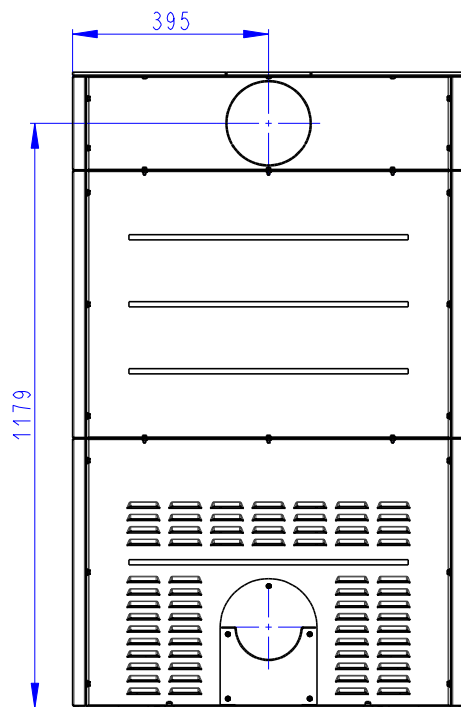
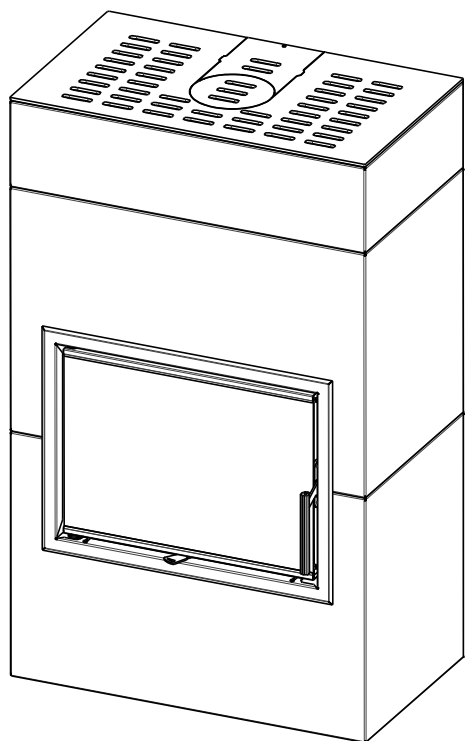
182kg



Rozměry v mm
Maße in mm
Dimensions in mm

VARIANT FN 03 + VARI FN 03 S1

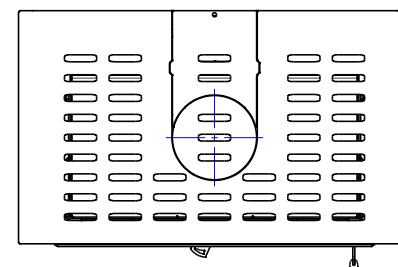
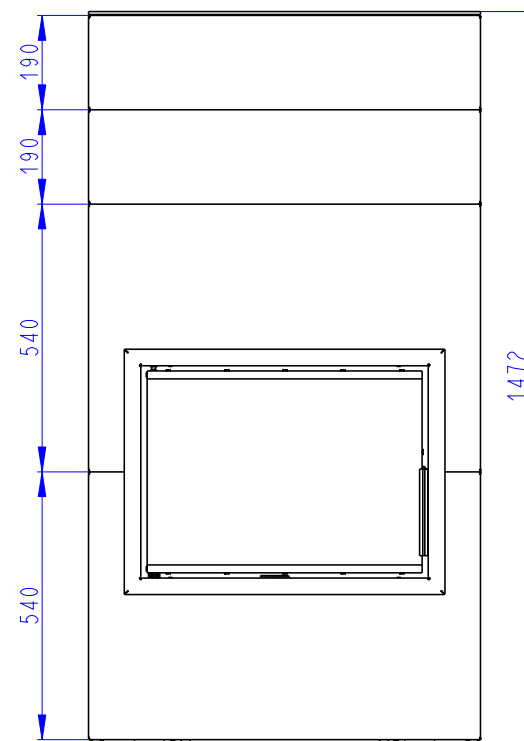
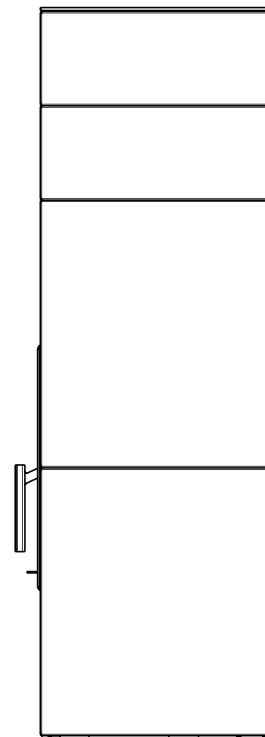
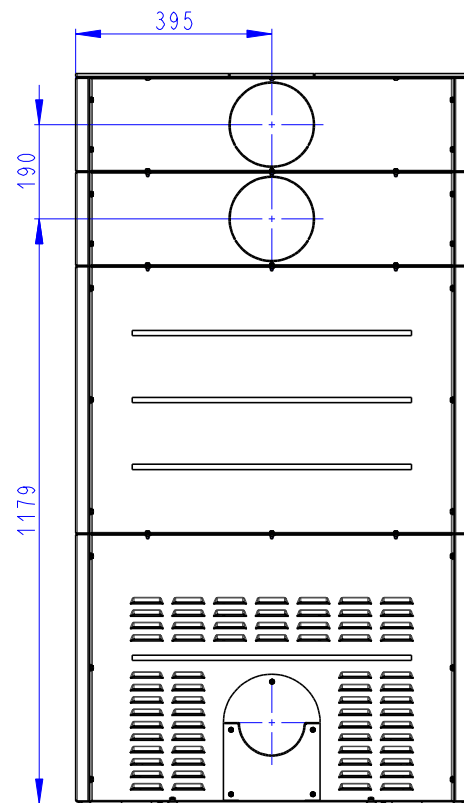
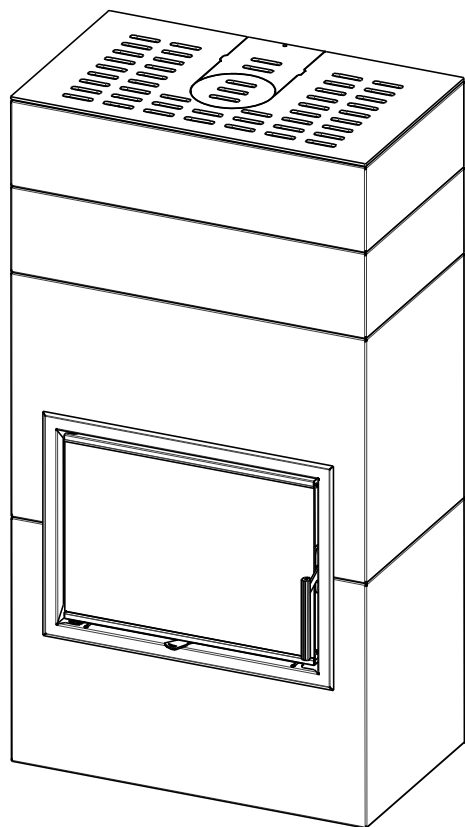
192kg



Rozmery v mm
Maße in mm
Dimensions in mm

VARIANT FN 03 + 2xVARI FN 03 S1

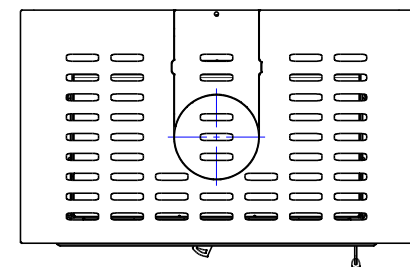
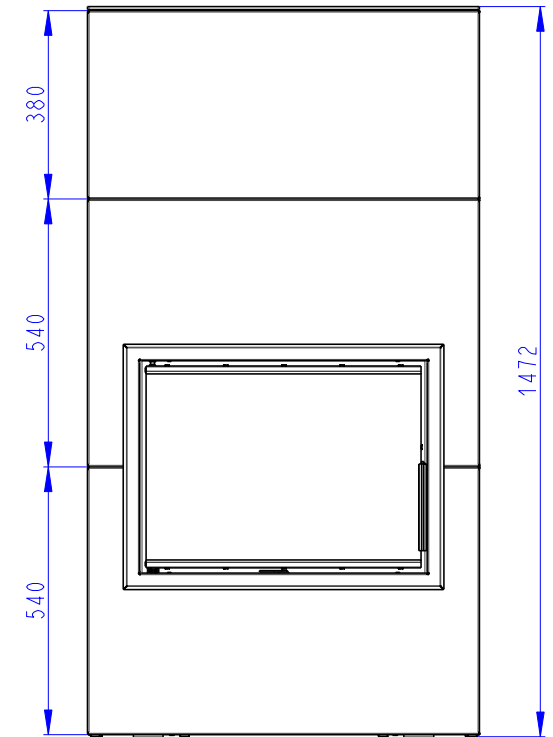
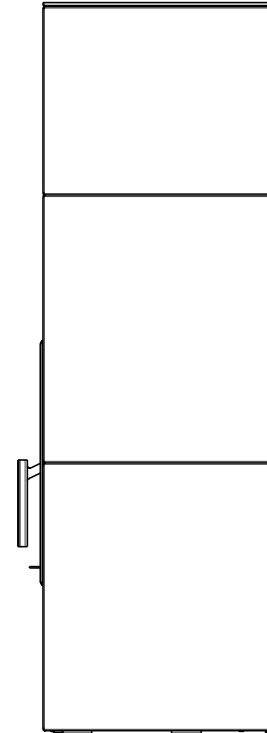
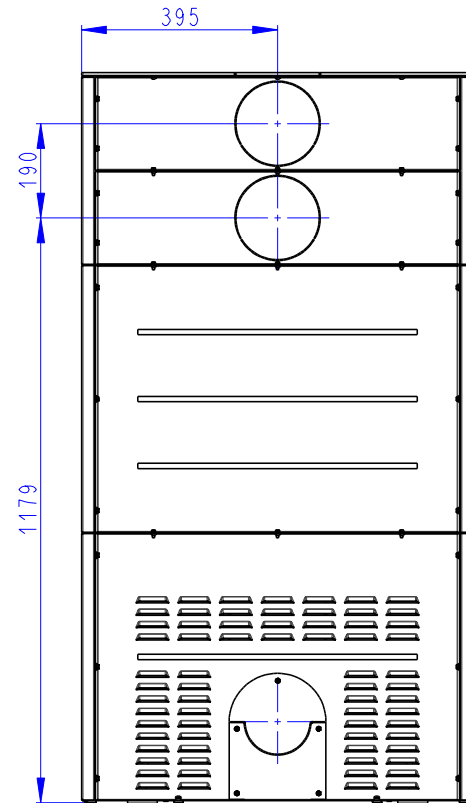
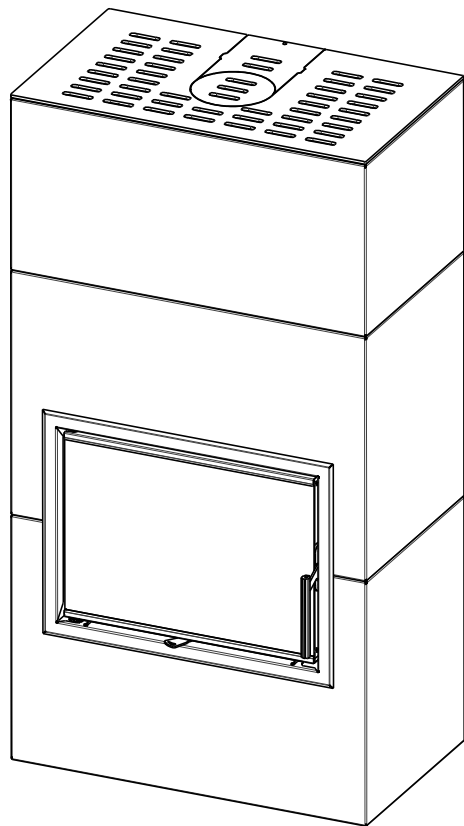
202kg



Rozměry v mm
Maße in mm
Dimensions in mm

VARIANT FN 03 + VARI FN 03 S2

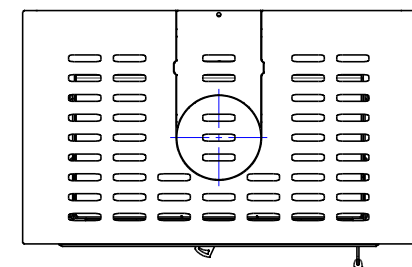
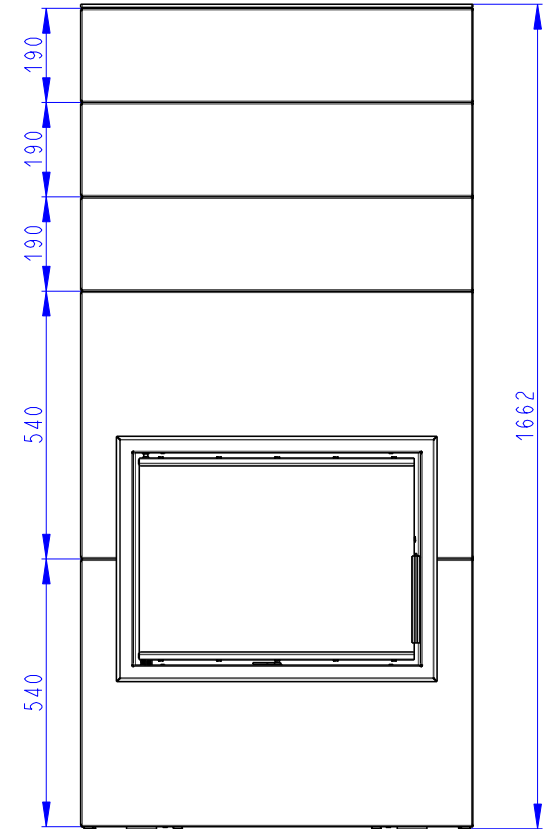
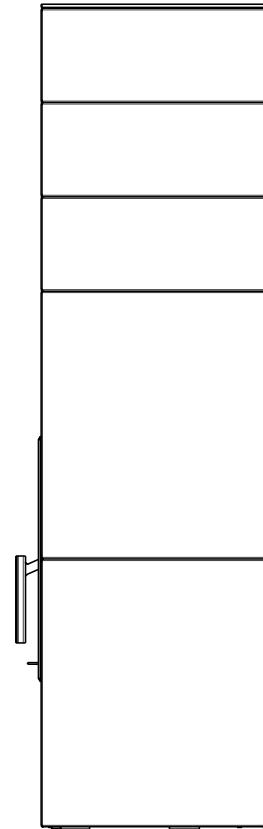
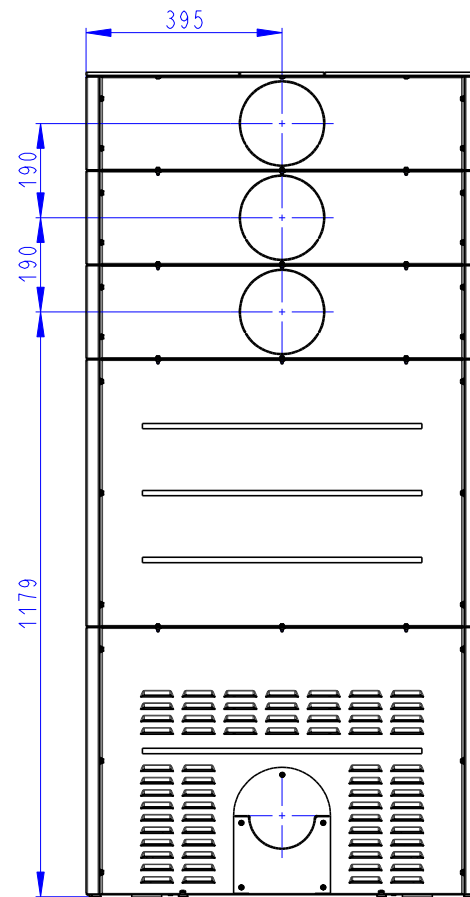
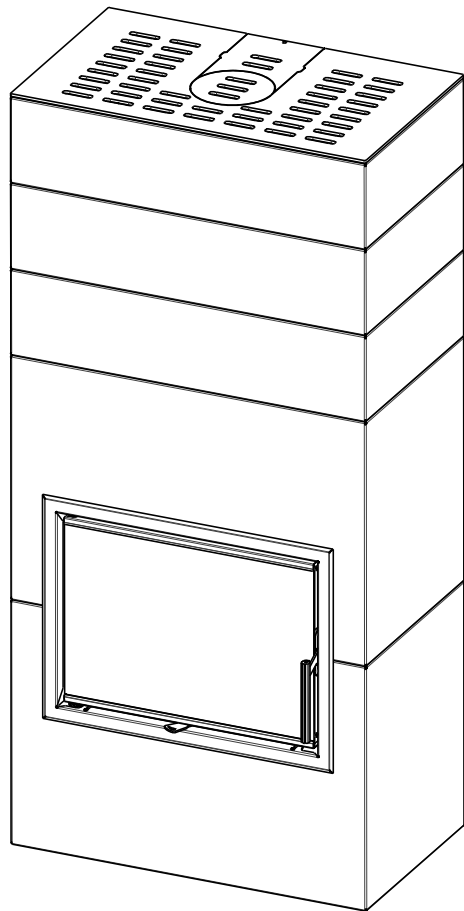
201kg



Rozměry v mm
Maße in mm
Dimensions in mm

VARIANT FN 03 + 3xVARI FN 03 S1

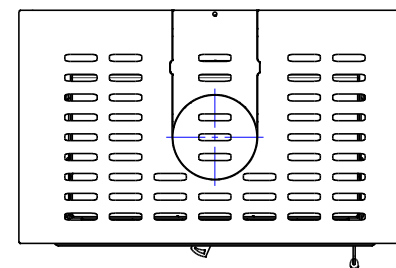
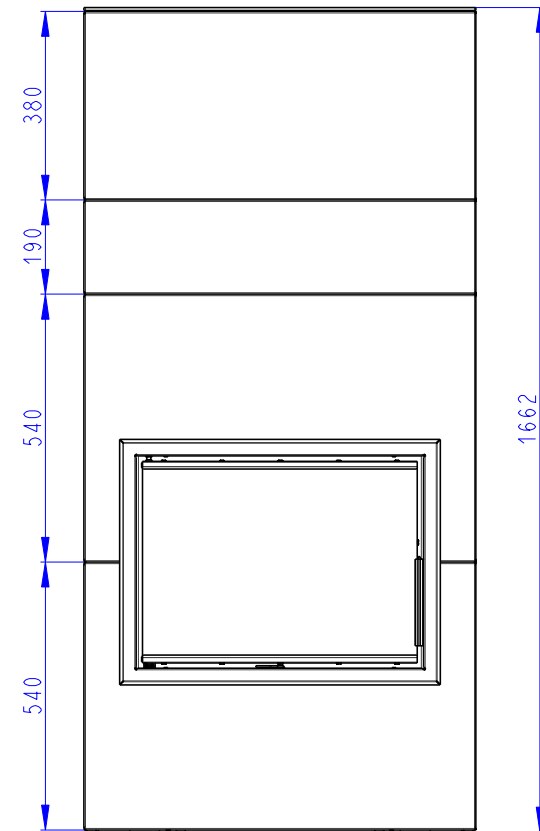
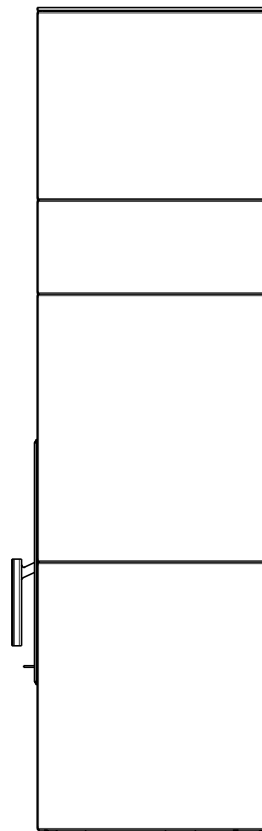
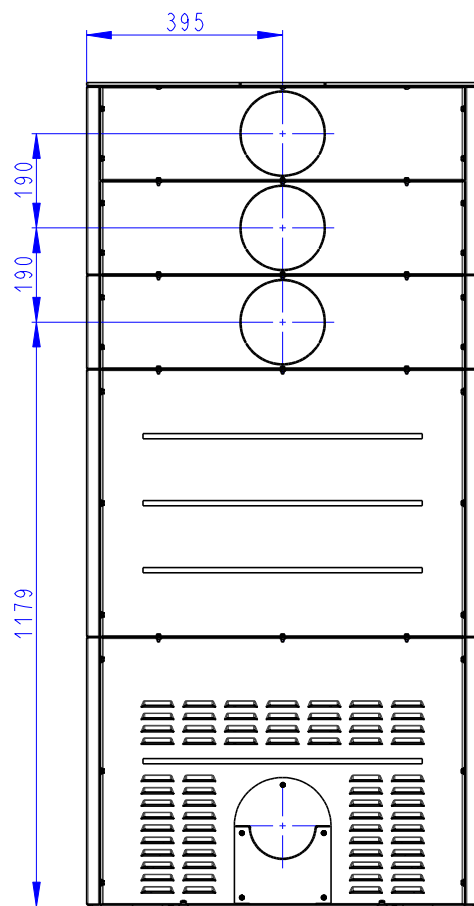
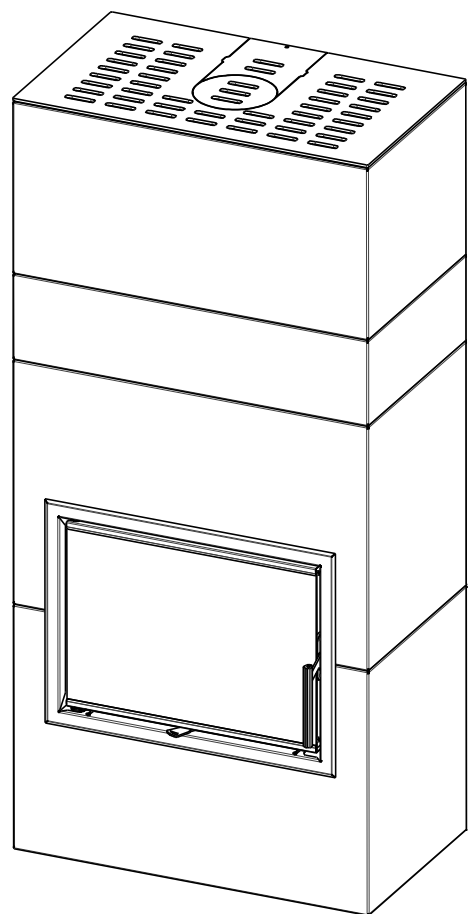
212kg



Rozmery v mm
Maße in mm
Dimensions in mm

VARIANT FN 03 + VARI FN 03 S1 + VARI FN 03 S2

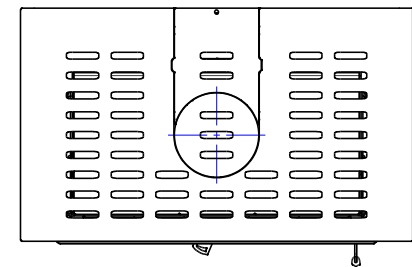
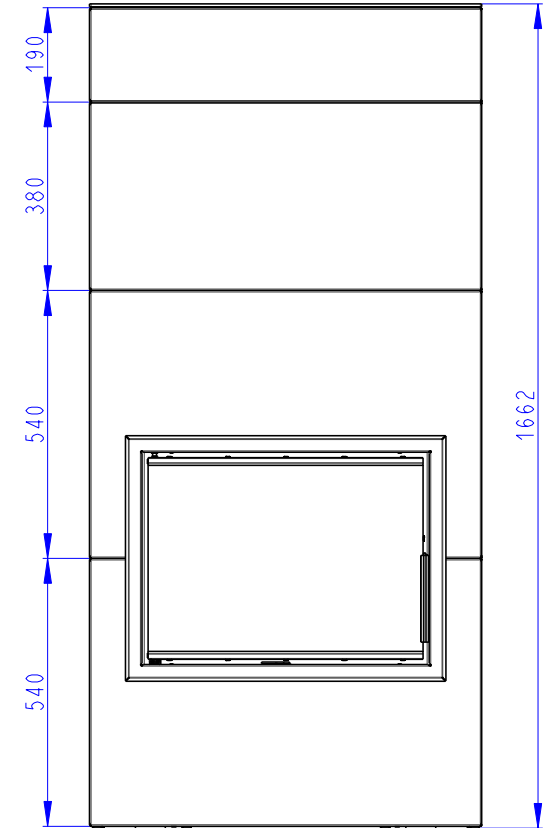
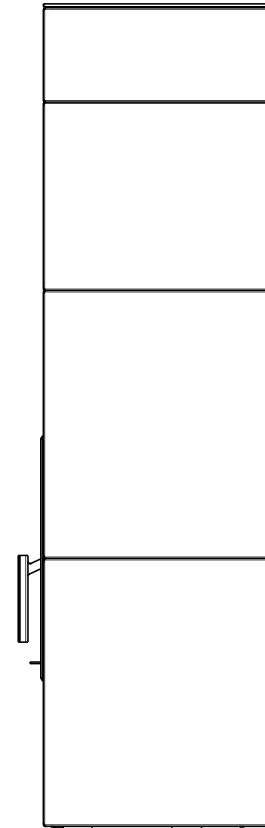
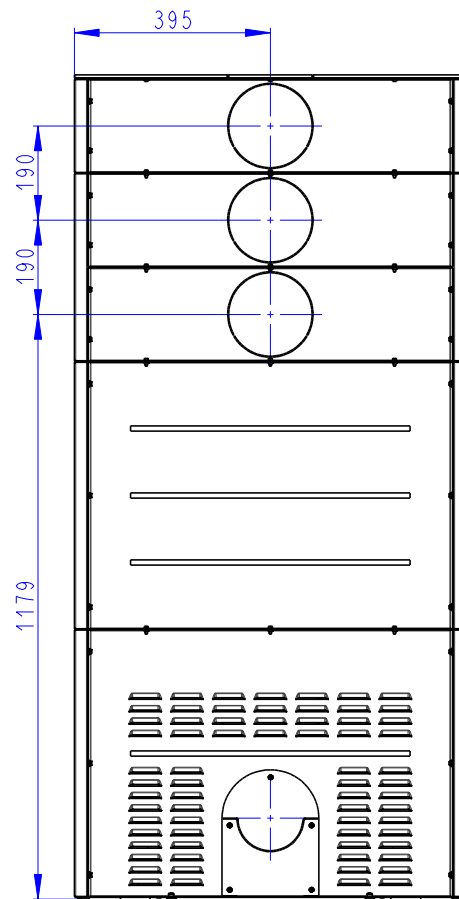
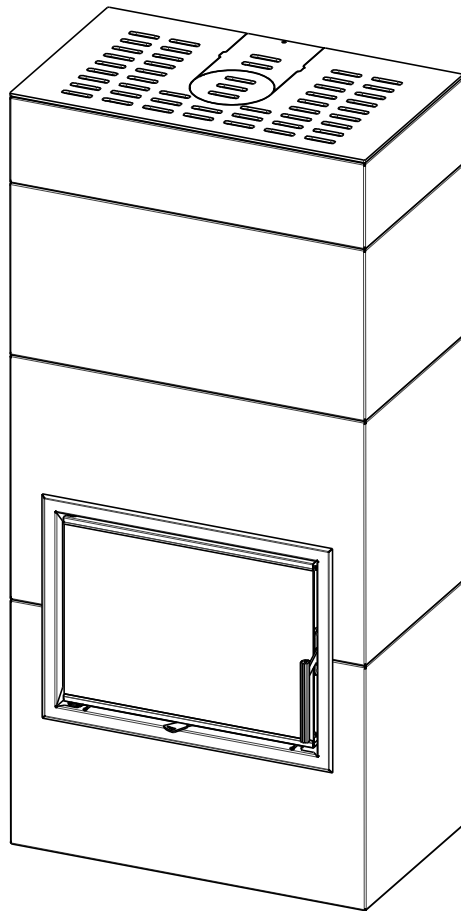
211kg



Rozmery v mm
Maße in mm
Dimensions in mm

VARIANT FN 03 + VARI FN 03 S2 + VARI FN 03 S1

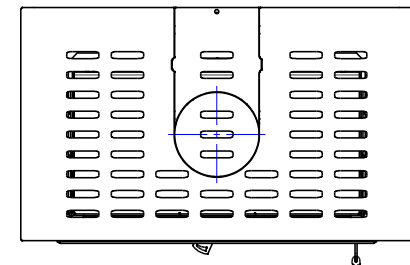
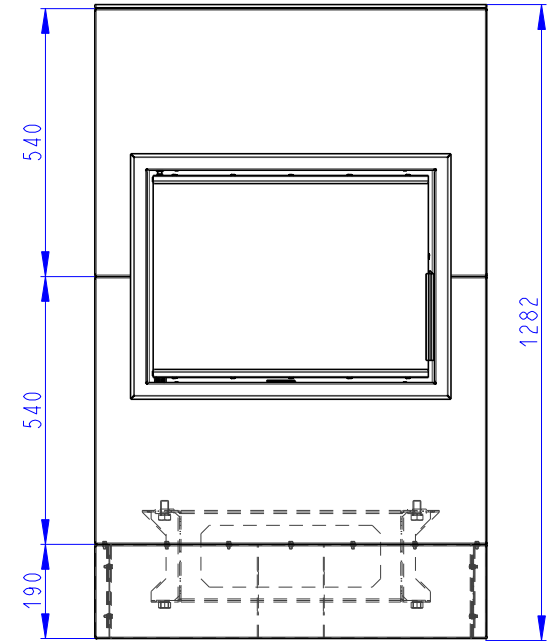
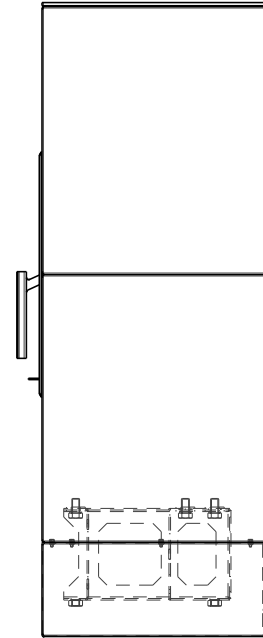
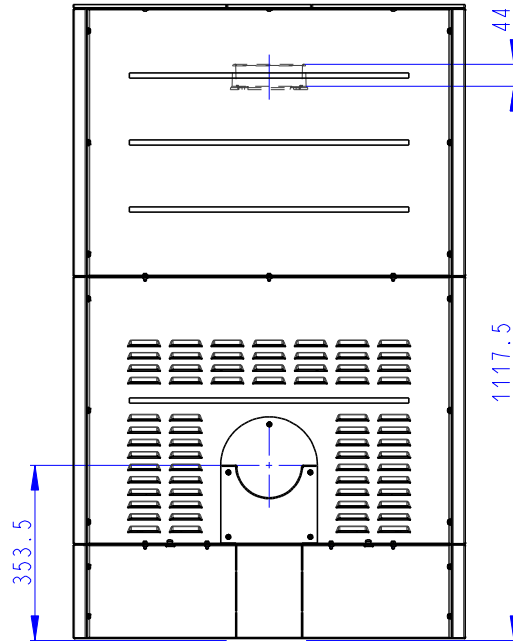
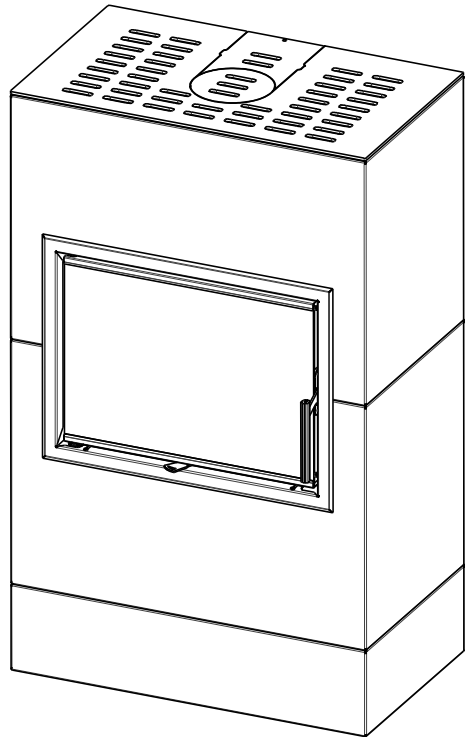
211kg



Rozměry v mm
Maße in mm
Dimensions in mm

VARIANT FN 03 + VARI FN 03 S3

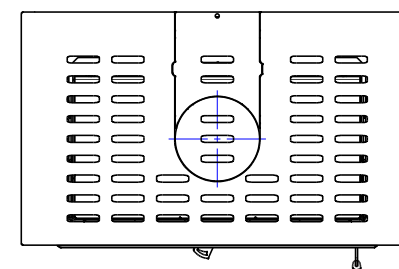
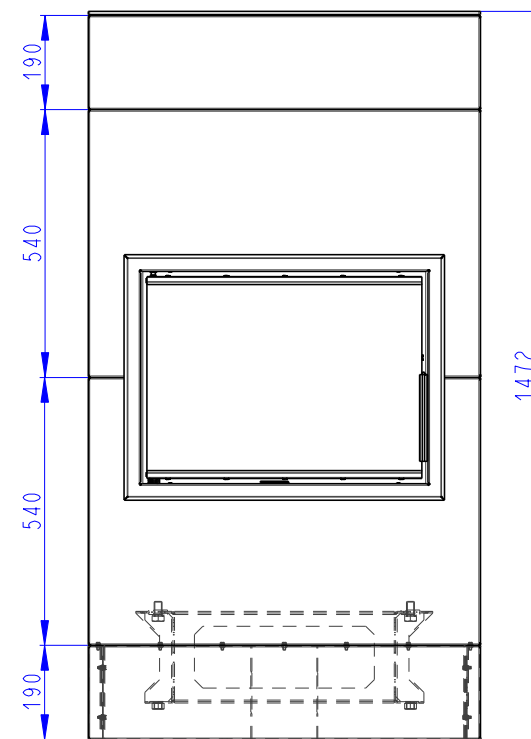
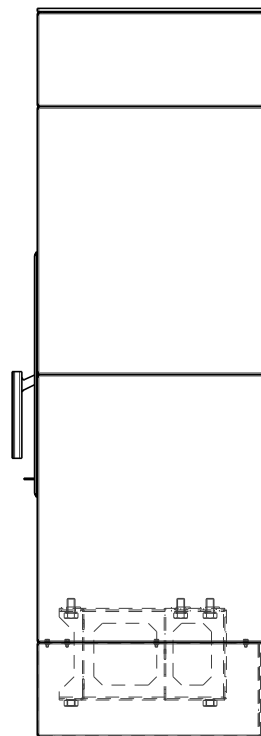
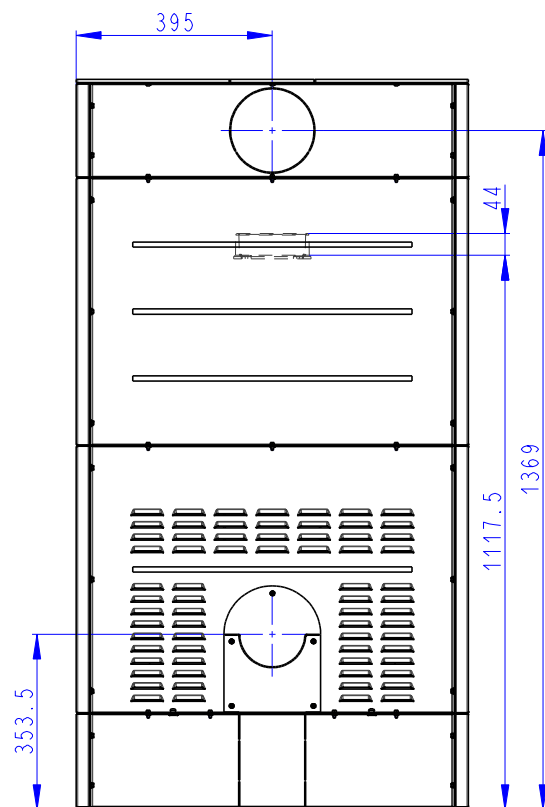
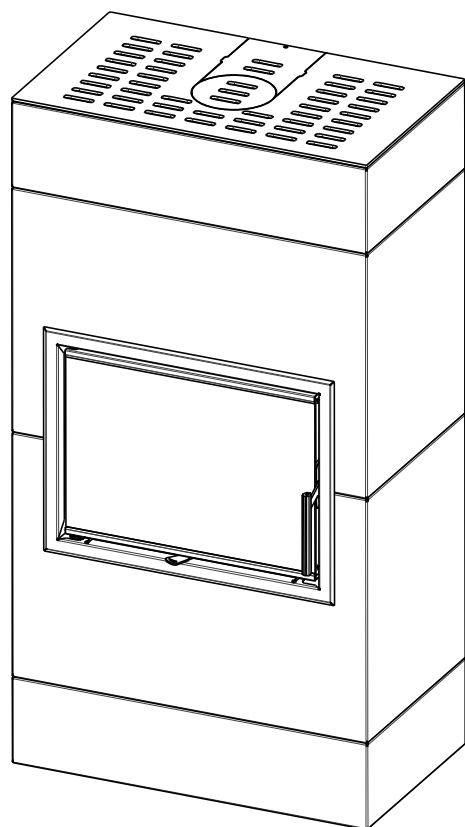
196kg



Rozmery v mm
Maße in mm
Dimensions in mm

VARIANT FN 03 + VARI FN 03 S1 + VARI FN 03 S3

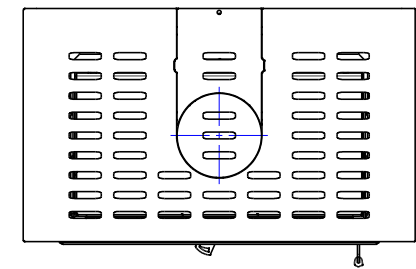
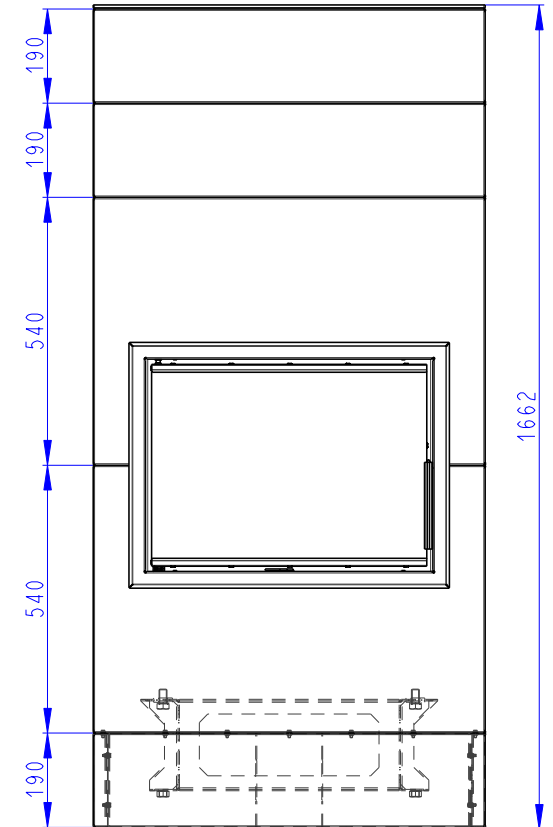
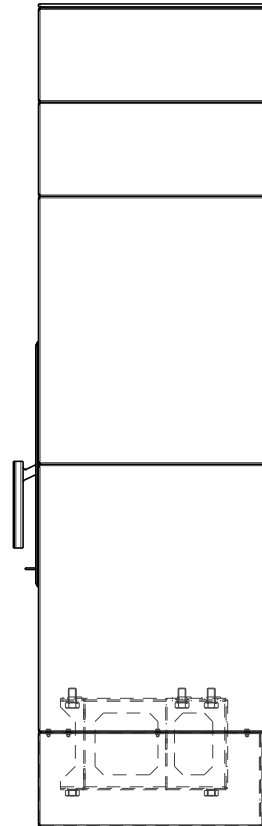
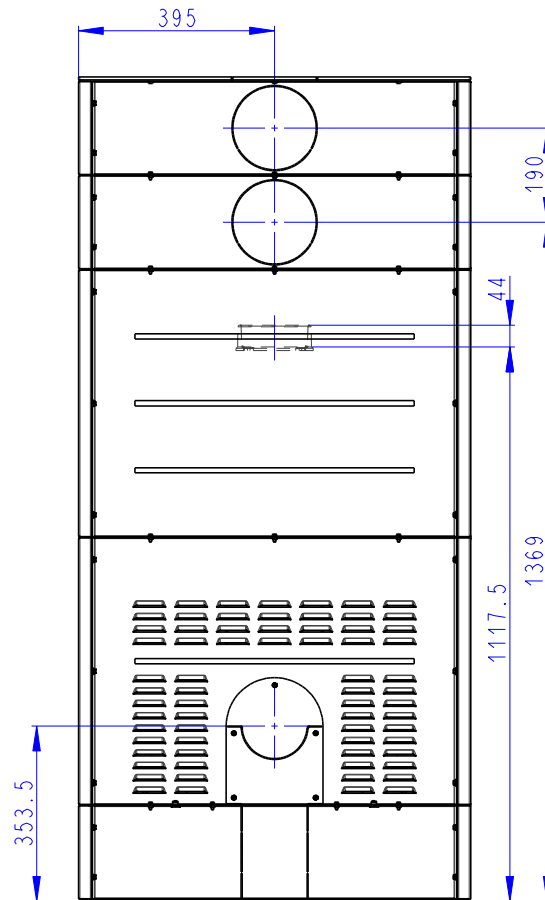
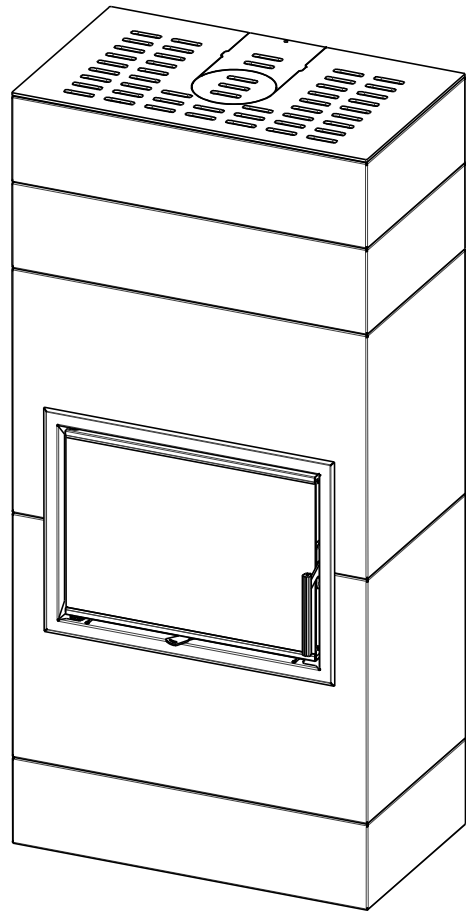
206kg



Rozměry v mm
Maße in mm
Dimensions in mm

VARIANT FN 03 + 2xVARI FN 03 S1 + VARI FN 03 S3

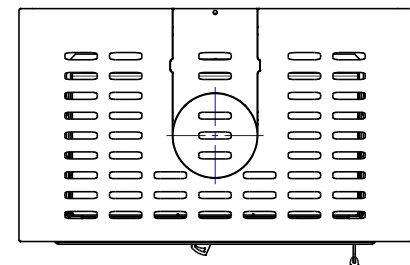
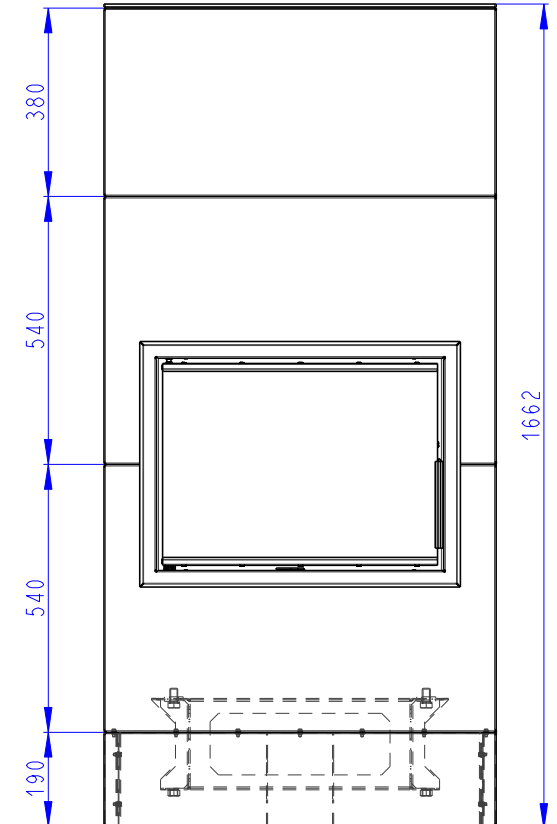
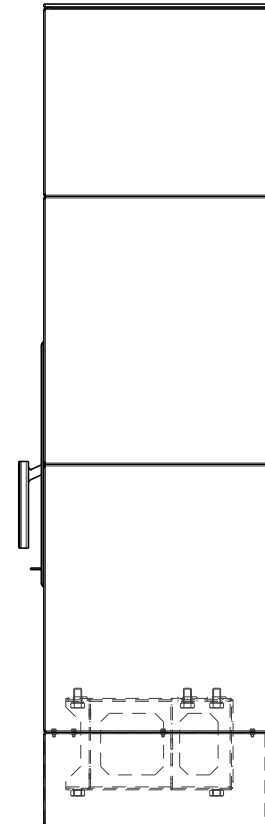
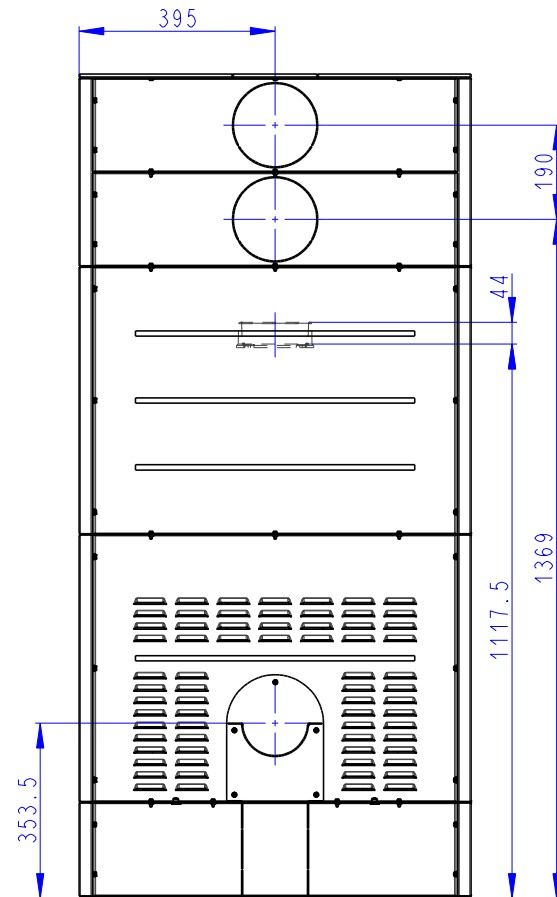
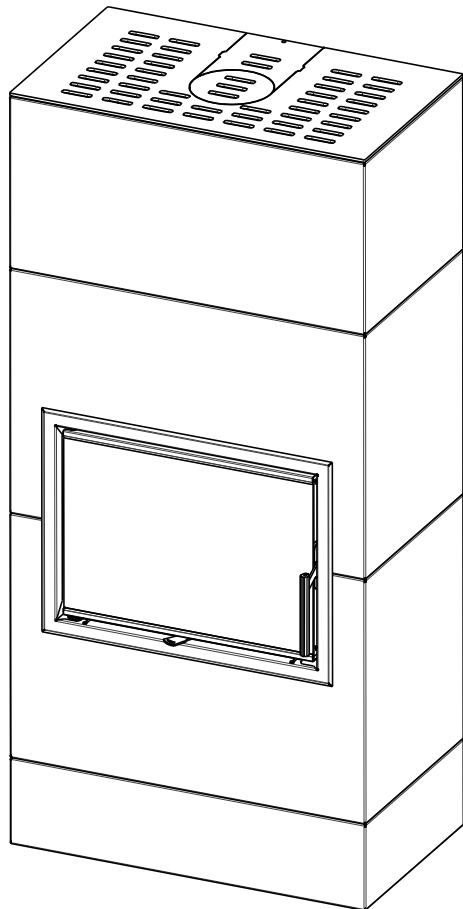
216kg



Rozmery v mm
Maße in mm
Dimensions in mm

VARIANT FN 03 + VARI FN 03 S2 + VARI FN 03 S3

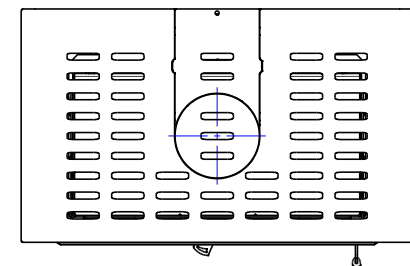
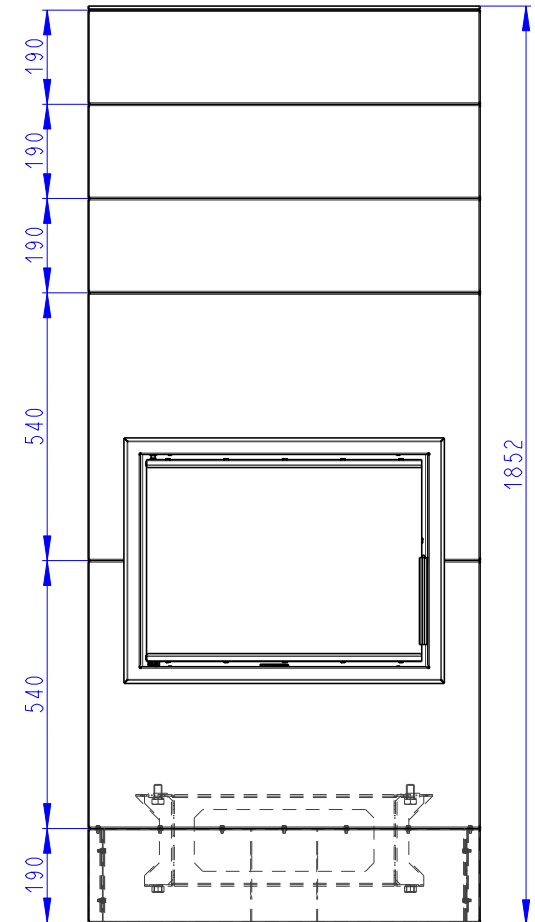
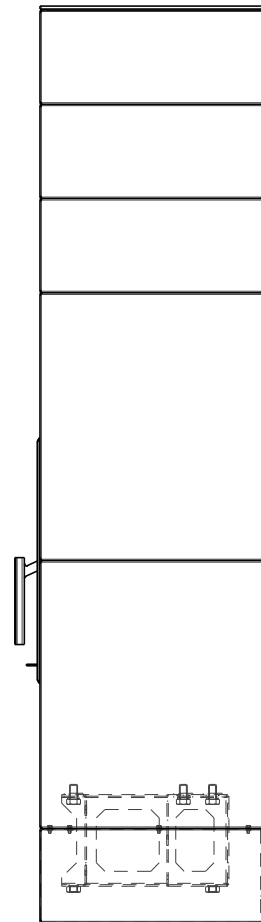
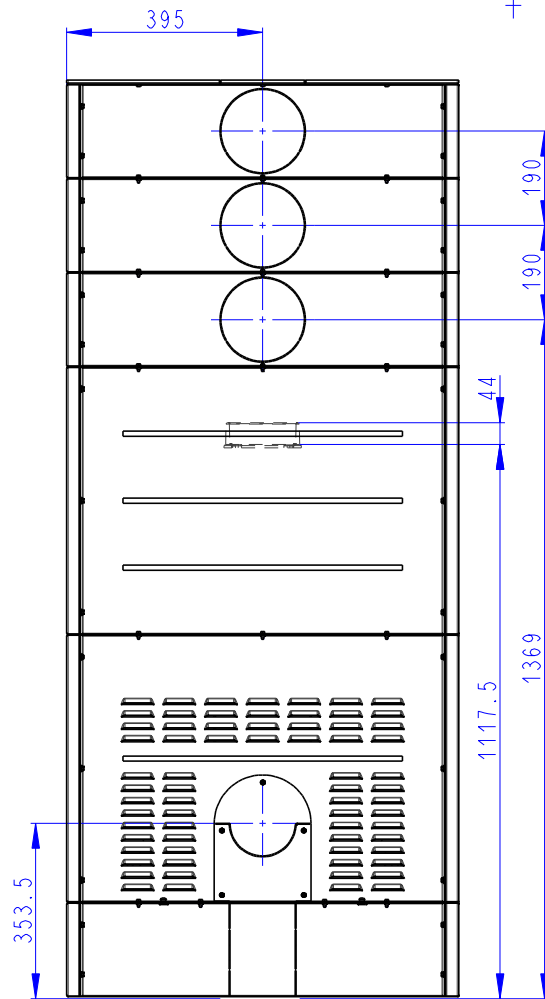
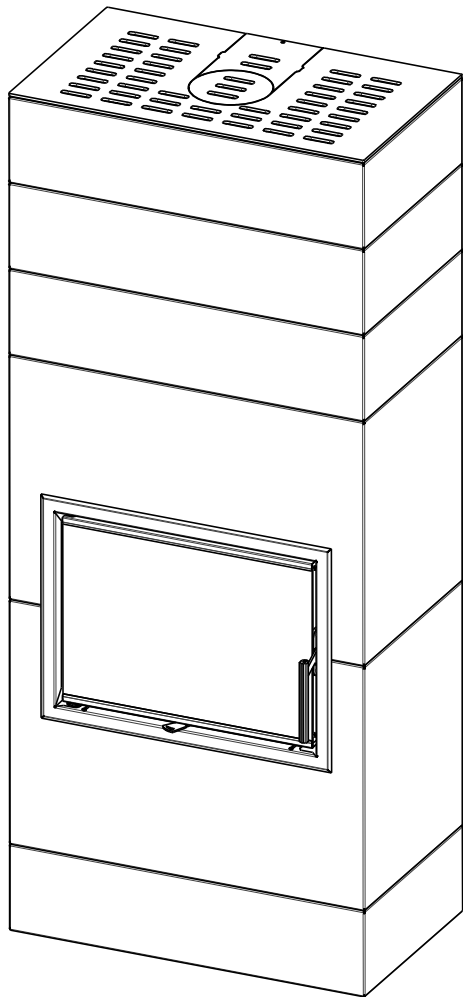
214kg



Rozmery v mm
Maße in mm
Dimensions in mm

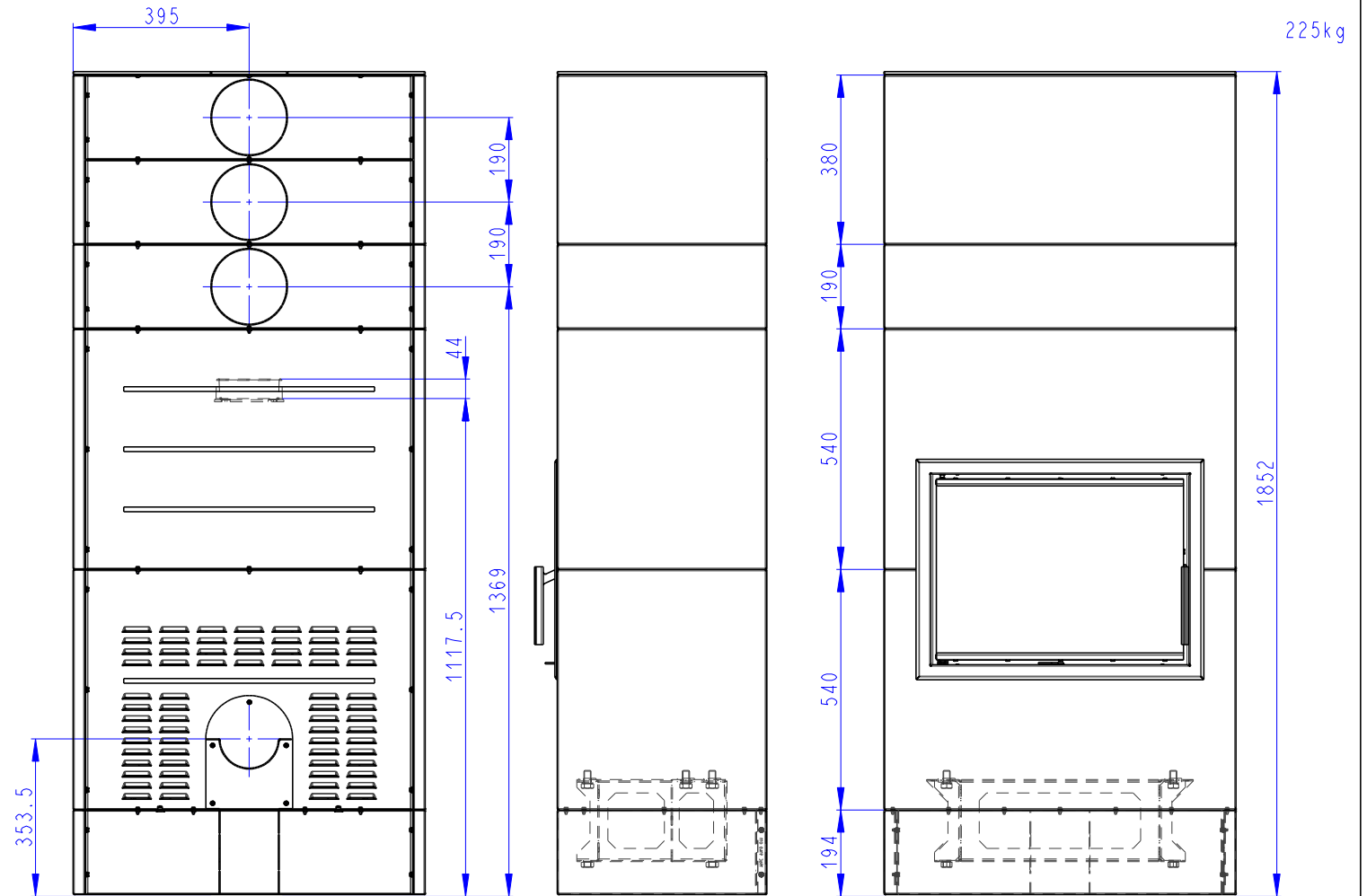
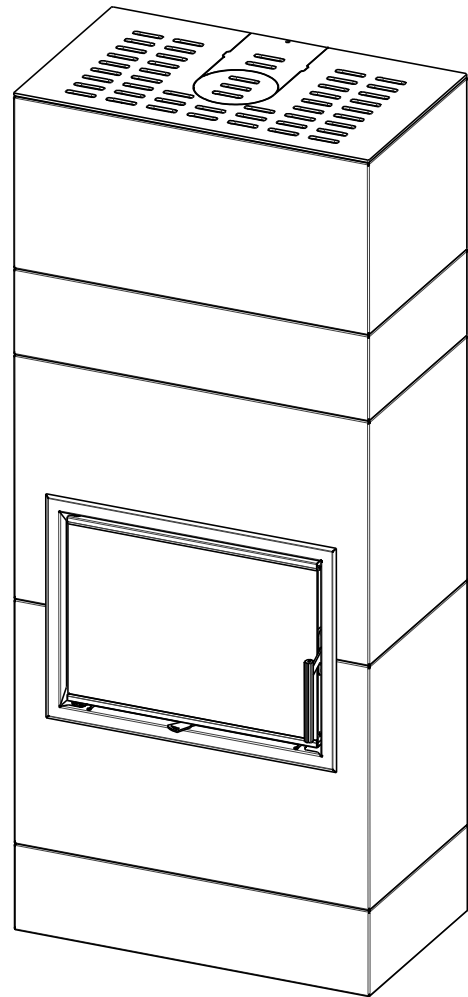
VARIANT FN 03 + 3xVARI FN 03 S2 + VARI FN 03 S3

226kg



Rozměry v mm
Maße in mm
Dimensions in mm

VARIANT FN 03 + VARI FN 03 S1
+ VARI FN 03 S2 + VARI FN 03 S3



Rozměry v mm
Maße in mm
Dimensions in mm

VARIANT FN 03 + VARI FN 03 S1
+ VARI FN 03 S2 + VARI FN 03 S3

