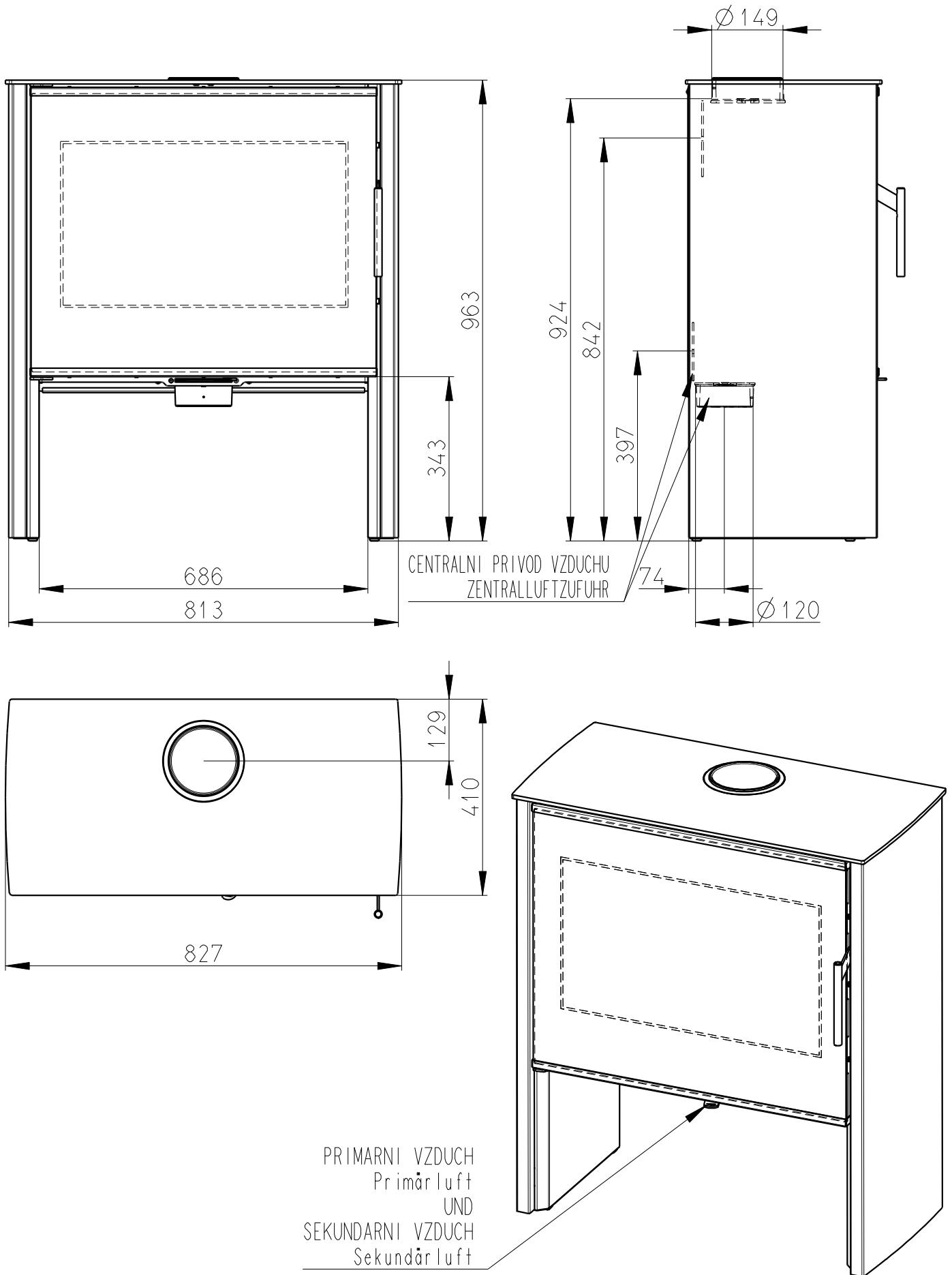


RIANO N



Artikl	RIANO N		
--------	---------	--	--

General data

Nominal heat output	kW	6	9
Efficiency	%	80,18	79,47
Mass of the test fuel fired hourly	kg/h	1,73	2,818
Dry flue gases mass flow	g/s	6,9	6,7
Mean flue gas temperature	°C	209	326
Flue draught	Pa	12	
Weight	kg	172	
CO ₂	%	7,23	12,58
Dust O ₂ =13%	mg/m ³	35	26
CO O ₂ =13%	mg/m ³	1118	1500

Recommended values

Reg.output	kW	4-11
Max. mass of the test fuel fired hourly	kg/h	3,5
Flue gas connector diameter	mm	150

Meets requirement limit values for

EN 13 240	•
BImSch V 1	•
BImSch V 2	6kW(●),9kW(-)
DIN plus	•
15a B-VG	6kW(●),9kW(-)

Supplied accessories

Holder with magnet	•
Ashtray	•