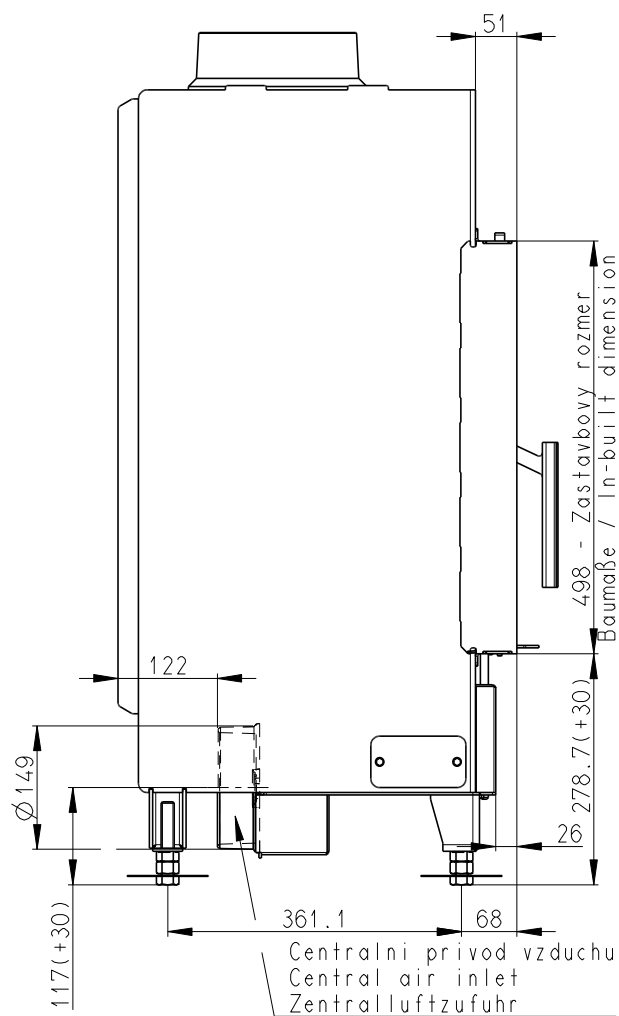
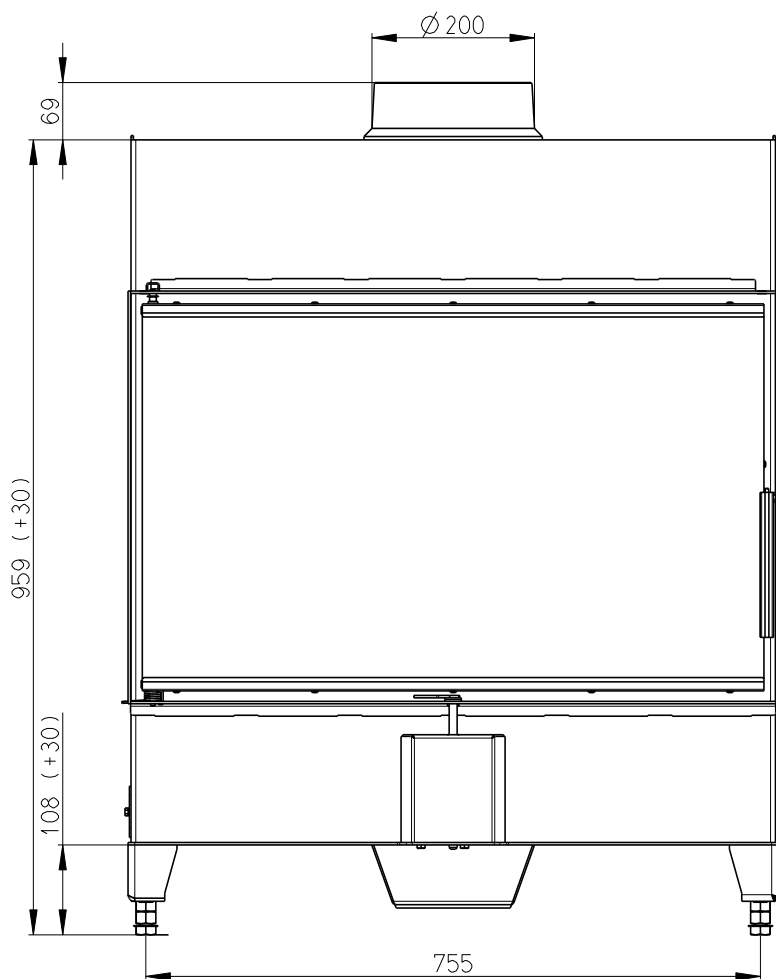
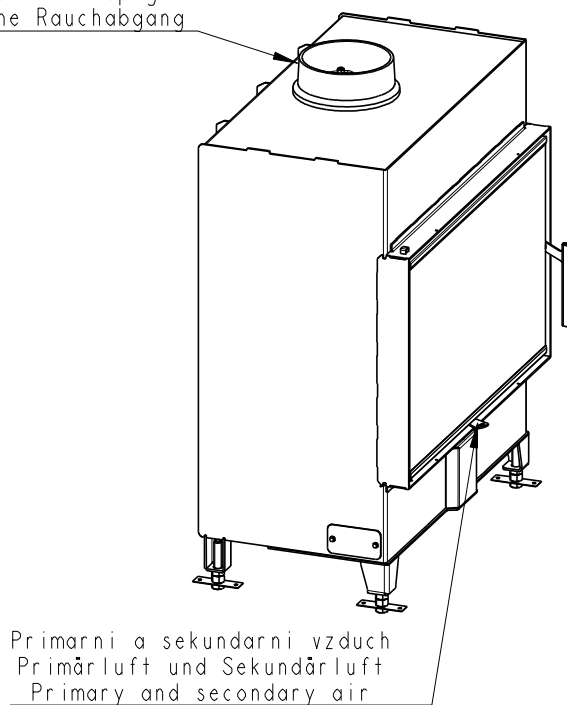
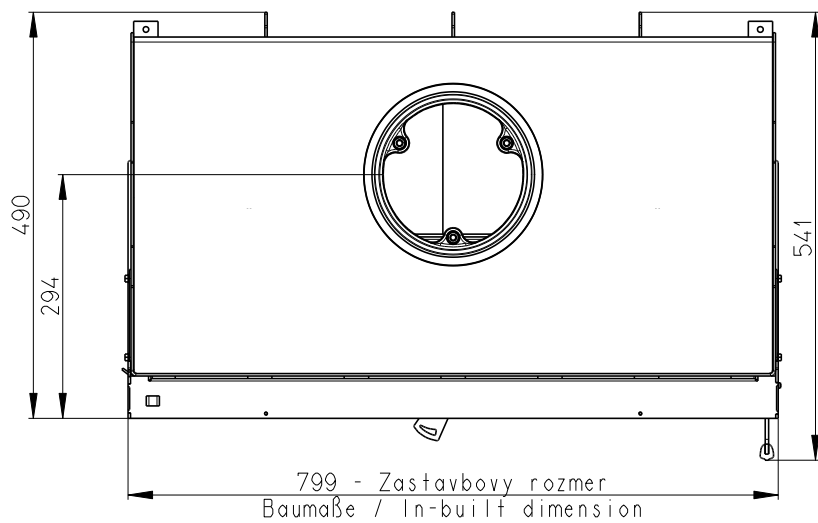


HEAT 2G 80.50.01



Litinovy odvod koure
Cast iron spigot
Der gusseiserne Rauchabgang



Artikl	H2X 01
--------	--------

General data

Nominal heat output	kW	9,0
Efficiency	%	81,42
Mass of the test fuel fired hourly	kg/h	2,75
Dry flue gases mass flow	g/s	10,0
Mean flue gas temperature	°C	207
Flue draught	Pa	10
Weight	kg	185
CO ₂	%	7,45

Recommended values

Reg.output	kW	4,5 - 12
Max. mass of the test fuel fired hourly	kg/h	4,5
Min. cross section of convect air inlet for nominal output	cm ²	880
Min. cross section of convect air outlet for nominal output	cm ²	1120
Combustion air requirement	m ³ /h	23,6
Flue gas connector diameter	mm	150 - 200

Meets requirement limit values for

EN 13 229	•
BImSch V 1	•
BImSch V 2	•
DIN plus	•
15a B-VG	•

Supplied accessories

Holder with magnet	•
Hook to open the ashtray	•
Ashtray	•