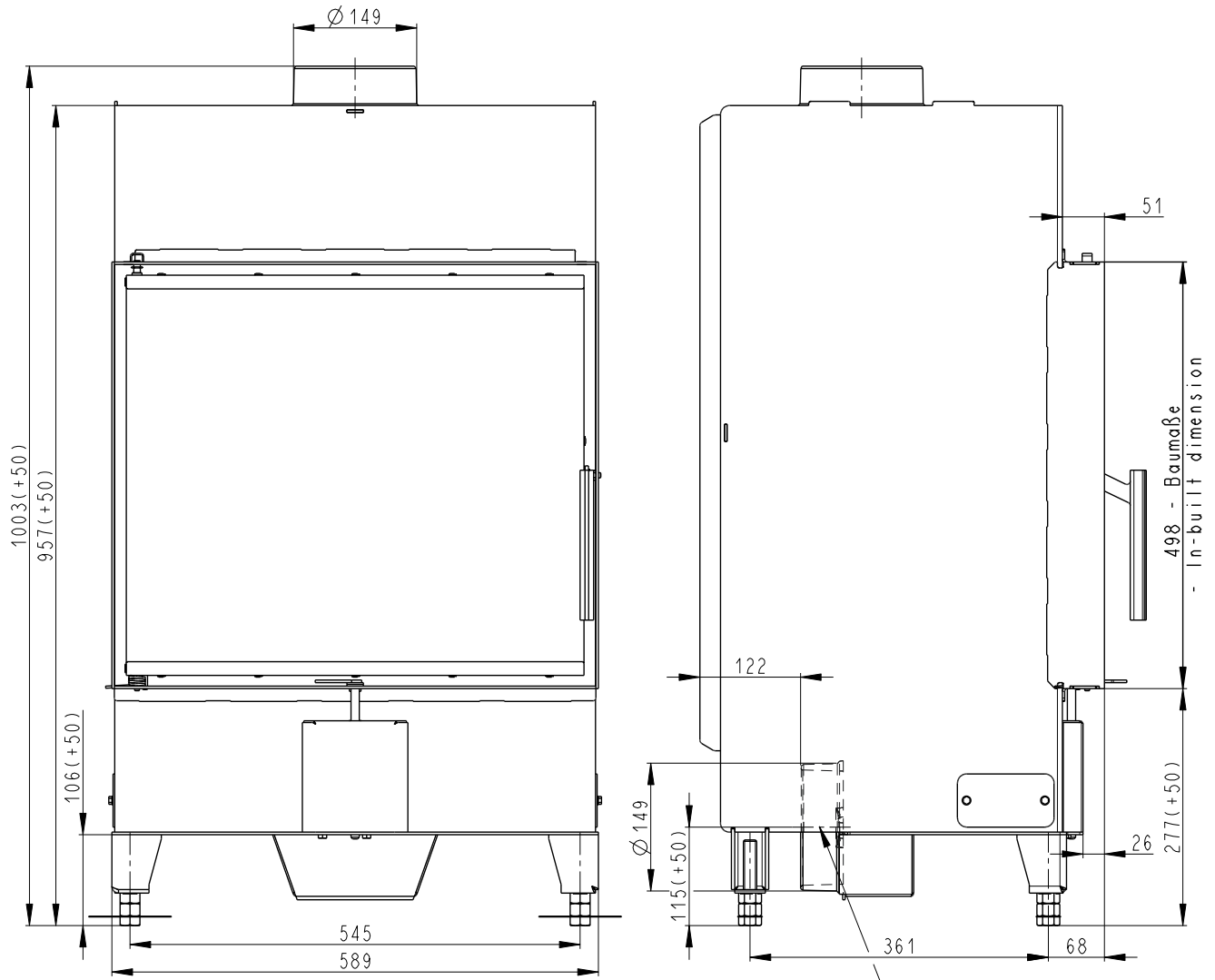
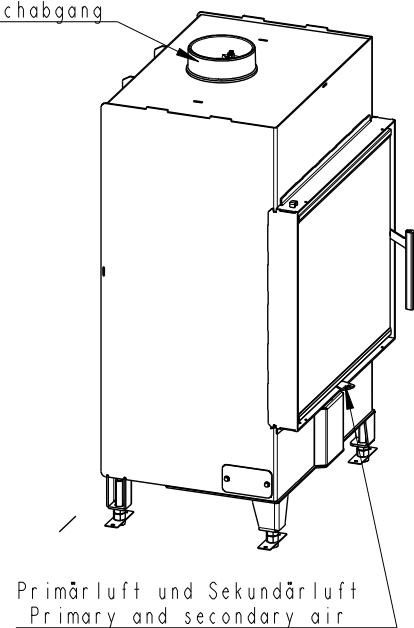
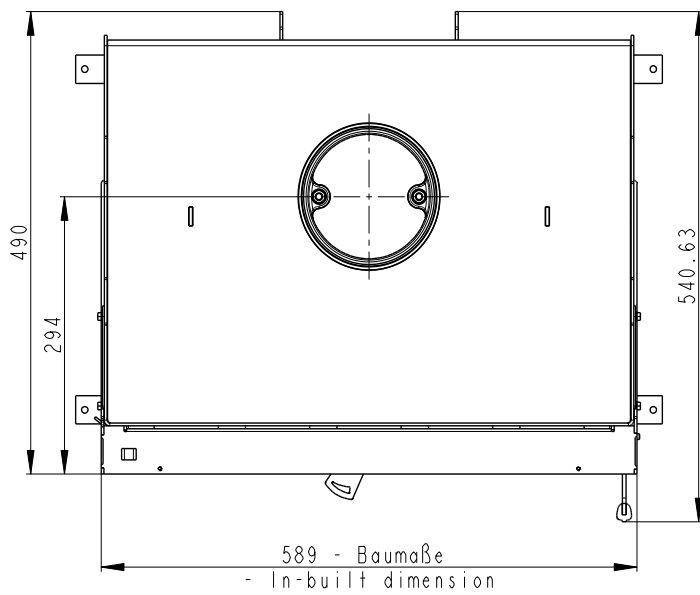


# HEAT 2G 59.50.01



Cast iron spigot  
Der gusseiserne Rauchabgang

Central air inlet  
Zentralluftzufuhr



Artikl	H2N 01
--------	--------

#### General data

Nominal heat output	kW	7
Efficiency	%	85
Mass of the test fuel fired hourly	kg/h	1,9
Dry flue gases mass flow	g/s	2,8
Mean flue gas temperature	°C	218
Flue draught	Pa	12
Weight	kg	150
CO <sub>2</sub>	%	11,24

#### Recommended values

Reg.output	kW	3,5 – 10
Max. mass of the test fuel fired hourly	kg/h	3,5
Min. cross section of convect air inlet for nominal output	cm <sup>2</sup>	880
Min. cross section of convect air outlet for nominal output	cm <sup>2</sup>	1120
Combustion air requirement	m <sup>3</sup> /h	14,2
Flue gas connector diameter	mm	150

#### Meets requirement limit values for

EN 13 229	•
BImSch V 1	•
BImSch V 2	•
DIN plus	•
15a B-VG	•

#### Supplied accessories

Holder with magnet	•
Hook to open the ashtray	•
Ashtray	•