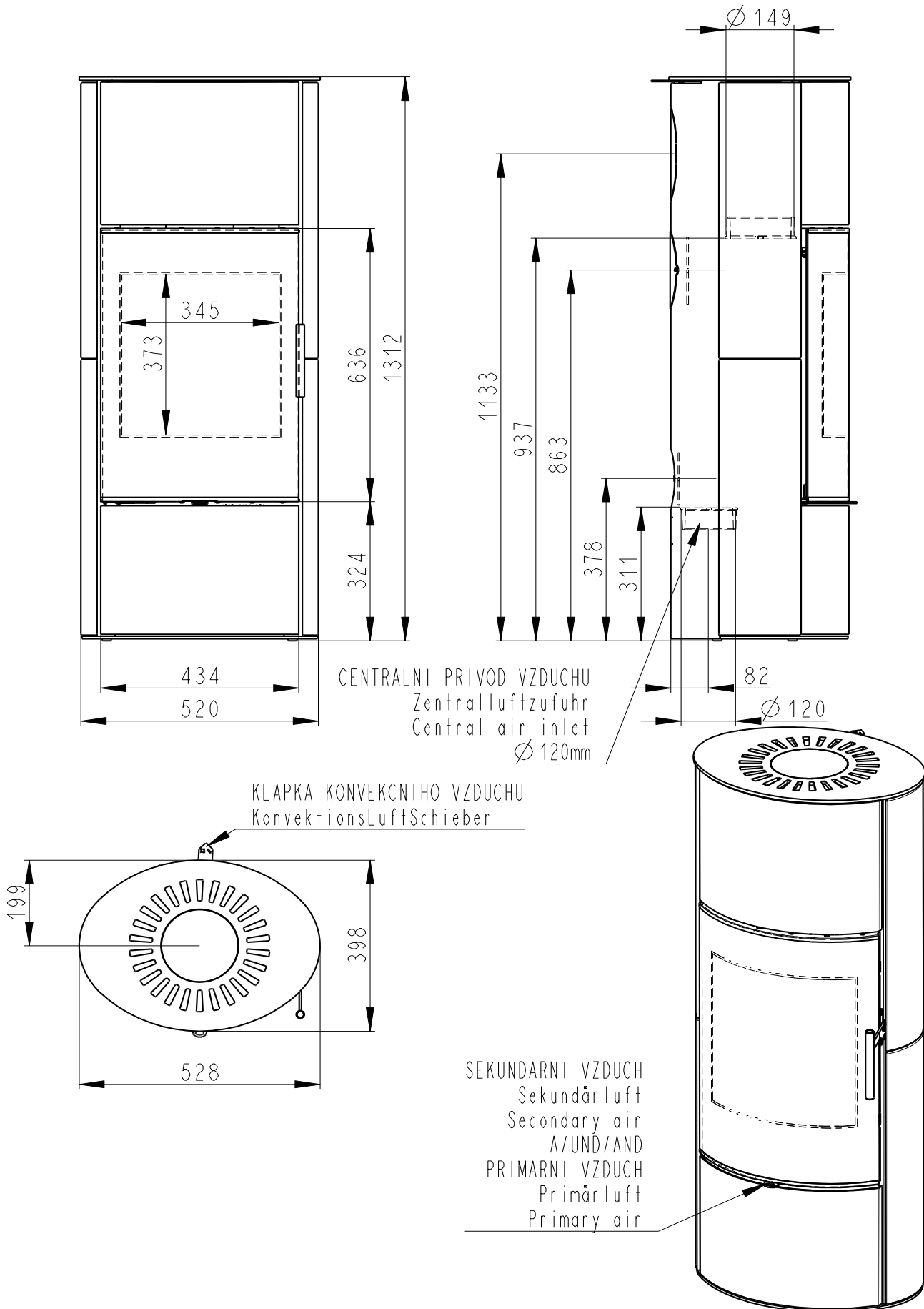


LAREDO AKKUM



Artikl	LAREDO AKKUM		
--------	--------------	--	--

General data

Nominal heat output	kW	4	5,9
Efficiency	%	80,5	80,2
Mass of the test fuel fired hourly	kg/h	1,27	1,73
Dry flue gases mass flow	g/s	4	6,9
Mean flue gas temperature	°C	332	252
Flue draught	Pa	12	
Weight	kg	143	
CO ₂	%	9,59	7,23
Dust O ₂ =13%	mg/m ³	15	35
CO O ₂ =13%	mg/m ³	1192	1118

Recommended values

Reg.output	kW	3-8	
Max. mass of the test fuel fired hourly	kg/h	2,2	
Flue gas connector diameter	mm	150	

Meets requirement limit values for

EN 13 240	•
BImSch V 1	•
BImSch V 2	•
DIN plus	•
15a B-VG	•

Supplied accessories

Holder with magnet	•
Ashtray	•