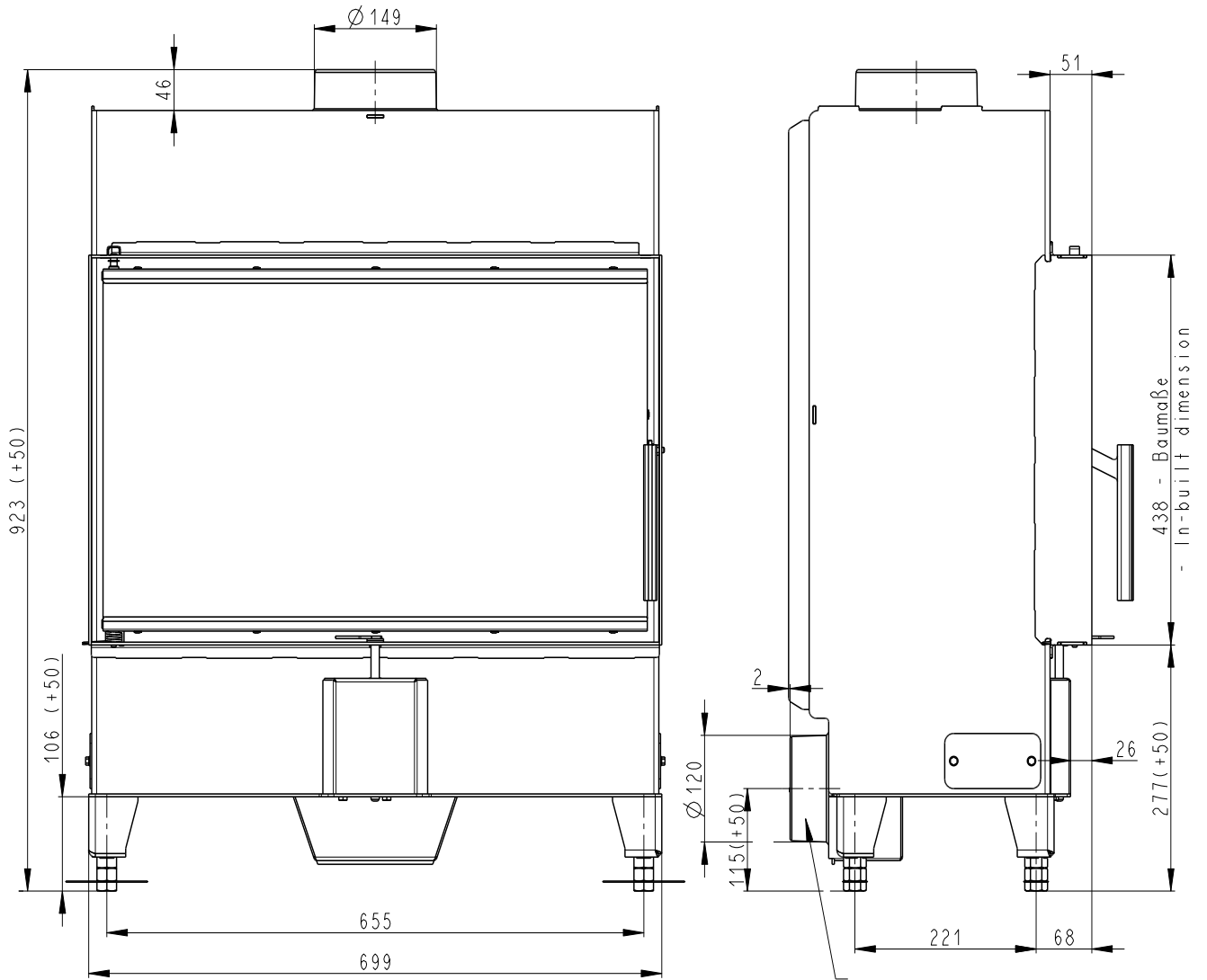
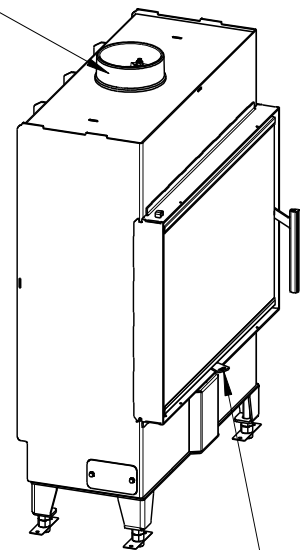
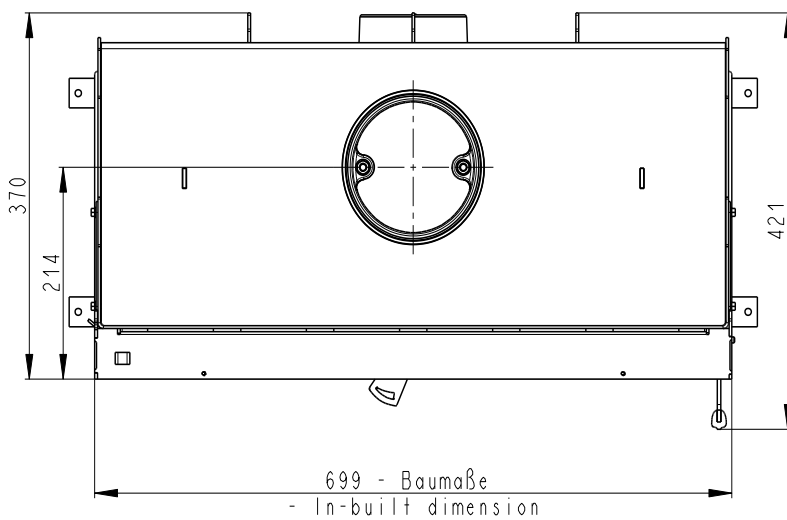


HEAT 2G 70.44.13



Cast iron spigot
Der gusseiserne Rauchabgang

Central air inlet
Zentralluftzufuhr



Primärluft und Sekundärluft
Primary and secondary air

Artikl	H2P 13
--------	--------

General data

Nominal heat output	kW	5,6
Efficiency	%	85,16
Mass of the test fuel fired hourly	kg/h	1,6
Dry flue gases mass flow	g/s	4,3
Mean flue gas temperature	°C	213
Flue draught	Pa	12
Weight	kg	133
CO ₂	%	10,49

Recommended values

Reg.output	kW	3 – 8
Max. mass of the test fuel fired hourly	kg/h	3
Min. cross section of convect air inlet for nominal output	cm ²	880
Min. cross section of convect air outlet for nominal output	cm ²	1120
Combustion air requirement	m ³ /h	12,8
Flue gas connector diameter	mm	150

Meets requirement limit values for

EN 13 229	•
BImSch V 1	•
BImSch V 2	•
DIN plus	•
15a B-VG	•

Supplied accessories

Holder with magnet	•
Hook to open the ashtray	•
Ashtray	•